



IMAGENEX MODEL 850 PRECISION ALTIMETER

APPLICATIONS:

- Single Beam bathymetry
- Measure range to other structures & objects
- Monitor sedimentation or scouring
- Measure altitude of structures & objects
- Touch down monitoring
- ROV, AUV, & UUV

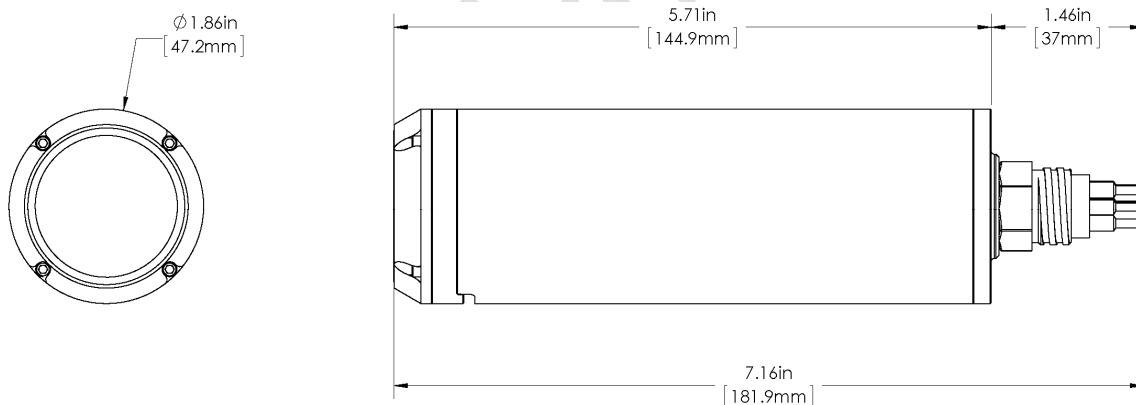
FEATURES:

- NMEA 0183 Serial Output
- 1 mm resolution
- Wide voltage input
- Free running output
- Low power
- Low cost



The Imagenex Model 850 Precision Altimeter accurately measures the range to the bottom, surface, obstacles or objects. It is a completely self-contained unit, less than 2" in diameter and approximately 7" long, making it ideal to use for many applications. With your choice of 500 kHz or 200 kHz, it requires only power and an RS-232 or RS-485 serial interface to an external device.

HARDWARE SPECIFICATIONS:	
FREQUENCY	500 kHz or 200 kHz
RANGE	500 kHz: 0.3 m – 50 m (1' – 164') 200 kHz: 0.7 m – 100 m (2.3' – 328')
TRANSDUCER	Conical beam
TRANSDUCER BEAM WIDTH	500 kHz: 10° 200 kHz: 20°
TRANSMIT PULSE LENGTH	500 kHz: 10 microseconds 200 kHz: 30 microseconds
RANGE RESOLUTION	500 kHz: 1 mm 200 kHz: 2 mm
MIN. DETECTABLE RANGE	500 kHz: 0.3 m (1') 200 kHz: 0.7 m (2.3')
MAX. OPERATING DEPTH	700 m (or 6000 m available)
INTERFACE	RS-232 @ 115.2 kbps (RS-485 optional) (other baud rates available) Ethernet available
CONNECTOR	Four conductor, wet mateable (Subconn MCBH4M-AS)
POWER SUPPLY	12 – 50 VDC at less than 2 Watts
DIMENSIONS	47.2 mm (1.86") diameter x 181.9 mm (7.16") length
WEIGHT: In Air	~300 g (~0.7 lbs)
In Water	~60 g (~0.2 lbs)
MATERIALS	Delrin & 6061-T6 Aluminum
FINISH	Anodized



ORDERING INFORMATION:		
700 m UNIT (500 kHz)	Standard	850-000-140
6000 m UNIT (500 kHz)	Standard	850-000-141
RS-485	Option	-007
External Trigger	Option	-023
200 kHz	Option	-057
Ethernet	Option	-058
Pitch, Roll, & Compass	Option	-059

Product and company names listed are trademarks or trade names of their respective companies.