

IMAGENEX SPORTSCAN

APPLICATIONS:

- Underwater Archaeology
- Sunken Timber Recovery
- Search & Recovery
- Surveying
- Law Enforcement Work
- Scientific Research
- Environmental Survey

FEATURES:

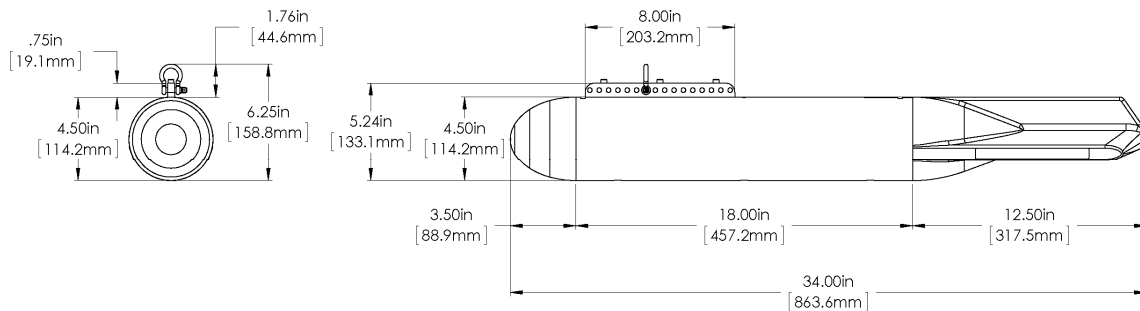
- Very user friendly
- Lightweight and extremely portable
- Inexpensive
- 23 m (75') tow cable included
- High resolution
- Up to 240 m (800') total coverage
- GPS interface
- Speed correction
- Height and length measurements
- 4 user selectable colour tables
- XTF Conversion program (optional)

The Imagenex SportScan is an affordable dual channel, high-resolution, digital side-scan sonar geared toward the sport diving market. Operate the SportScan directly from your laptop or desktop PC. All that is needed is a 12 VDC power source. Connect a GPS receiver for latitude and longitude coordinates.



HARDWARE SPECIFICATIONS:	
FREQUENCY	330 kHz or 330 / 800 kHz
TRANSDUCER	One transducer per side, tilted down 20°
TRANSDUCER BEAM WIDTH	330 kHz: 1.8° x 60° 800 kHz: 0.7° x 30°
RANGE RESOLUTION	Both sides displayed: Range scale ÷ 250 Single side displayed: Range scale ÷ 500
MAX. OPERATING DEPTH	30 m (100')
MAX. CABLE LENGTH	60 m (200')
INTERFACE	RS-232 serial interface @ 115.2 kbps
CONNECTOR	Wet mateable (Impulse LPMBH-4-MP)
POWER SUPPLY	10 – 16 VDC at 300 mA max.
DIMENSIONS	114 mm (4.5") diameter x 833 mm (32.8") length
WEIGHT: In Air	4.5 kg (10 lbs)
In Water	not including ballast 1.2 kg (2.7 lbs)
BALLAST	Standard diver belt weights (readily available at dive shops)
MATERIALS	Polyurethane & 6061-T6 Aluminum
FINISH	Clear anodized

SOFTWARE SPECIFICATIONS:	Win881ss.exe
WINDOWS™ OPERATING SYSTEM	Windows™ XP, Vista, 7, 8, 10
MODES	Side Scan
RANGE SCALES	15 m, 30 m, 60 m, 90 m, and 120 m (50', 100', 200', 300', and 400')
FILE FORMAT	(filename).81s
GPS INPUT (4800, N, 8, 1) NMEA 0183 FORMATS:	GLL, GGA, VTG, RMC
RECOMMENDED MINIMUM COMPUTER REQUIREMENTS:	100 MHz Pentium 16 MB RAM 1 GB Hard Disk 800 x 600 x 256 colour graphics



ORDERING INFORMATION:		
30 m unit w / 23 m SportScan tow cable	Standard	881-000-150
330 / 800 kHz	Option	-005
60 m (200') SportScan tow cable	Option	-017
XTF Converter (Imagenex .81s to XTF)	Option	-019

Product and company names listed are trademarks or trade names of their respective companies.