



HIGH FREQUENCY ECHO SOUNDER KIT*



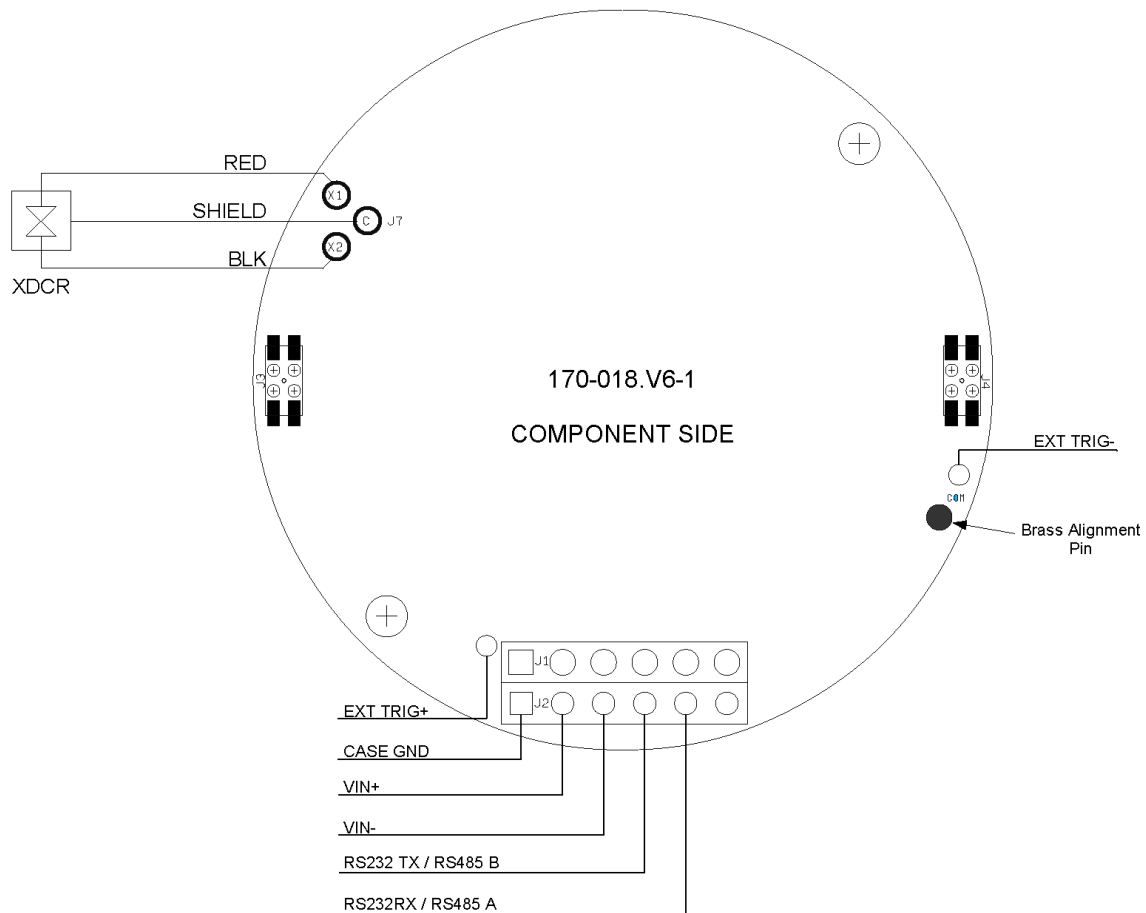
HARDWARE SPECIFICATIONS:	
FREQUENCY	675 kHz
TRANSDUCER	Conical
TRANSDUCER BEAM WIDTH	10°
RANGE RESOLUTION	20 mm
MIN. DETECTABLE RANGE	500 mm
INTERFACE	RS-485 @ 115.2 kbps (RS-232 optional)
POWER SUPPLY*	9 – 50 VDC at less than 1.5 Watts
ELECTRONICS DIMENSIONS	45.7 mm (1.8") diameter x 16.5 mm (0.65") high 41.28 mm (1.63") between mounting holes
TRANSDUCER DIMENSIONS	See drawing on p. 3
WEIGHT: In Air	Transducer 21.65 g (0.76 oz)
	Electronics 17.30 g (0.61 oz)

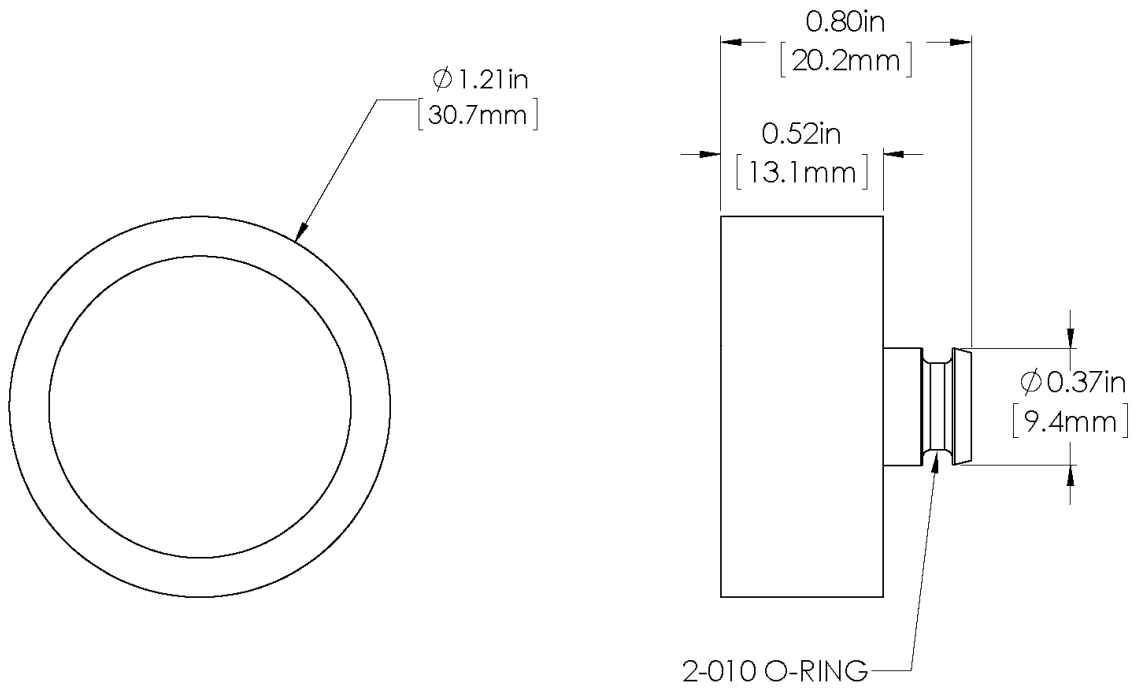
*For echo sounders manufactured prior to April 2016, please contact Imagenex to confirm operating voltage.

*Based on Imagenex Model 852 Ultra-Miniature Echo Sounder

SOFTWARE SPECIFICATIONS:	Win852.exe
WINDOWS™ OPERATING SYSTEM	Windows™ XP, Vista, 7, 8, 10
MODES	Echosounder
RANGE SCALES	5 m, 10 m, 20 m, 30 m, 40 m, 50 m
EXTERNAL INPUT	Depth, Heading, Turns
FILE FORMAT	(filename).852
RECOMMENDED MINIMUM COMPUTER REQUIREMENTS:	100 MHz Pentium 16 MB RAM 1 GB Hard Disk 800 x 600 x 256 colour graphics

COMMUNICATIONS PROTOCOL SPECIFICATIONS:	
SERIAL INTERFACE SPECIFICATION (v1.01)	Filename: 852 echo sounder spec.pdf
SOURCE CODE AVAILABLE FOR TESTING	test852e.c





ORDERING INFORMATION:		
675 kHz UNIT	Standard	852-000-147
RS-232	Option	-006
External Trigger	Option (included)	-023

Product and company names listed are trademarks or trade names of their respective companies.