



IMAGENEX MODEL 882-GS GYRO STABILIZED MULTI-FREQUENCY IMAGING SONAR

APPLICATIONS:

- ROV, AUV, & UUV
- Manned Submersibles
- Search & Recovery
- Borehole/cave work
- Drop sonar
- Scientific Research

FEATURES:

- **Ethernet** (or Optional Serial)
- Programmable (format available)
- Gyro stabilized transducer steering
- Simple set-up and installation
- Full scale range from 1 m to 100 m
- Orientation module

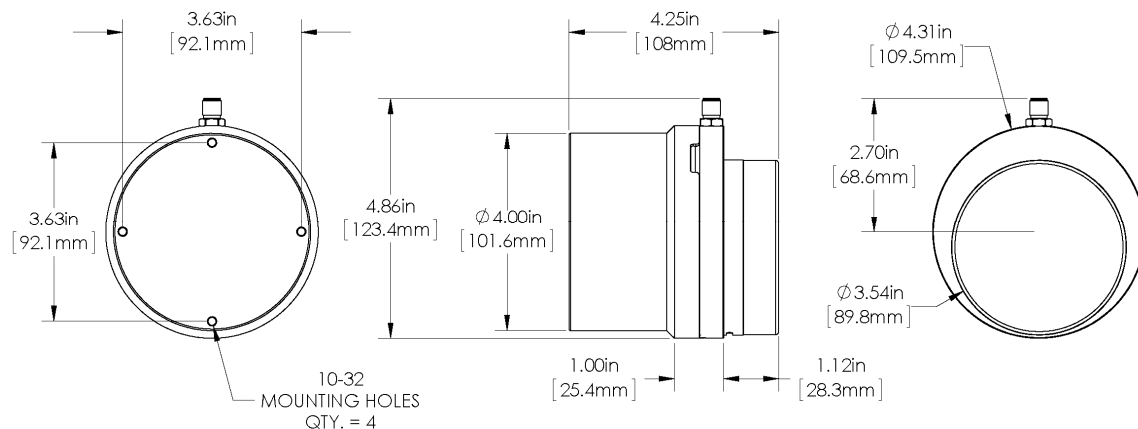
Gyro-stabilization makes the high resolution 882-GS sonar capable of crystal clear visualization of the ocean environment from moving platforms, no longer compromised by the blurring effects of host vehicle rotation. An advanced, low drift gyro is integrated directly into the sonar head, so the sonar can compensate for vehicle motion in real time with unprecedented accuracy, stability, and robustness.

Using Ethernet communications, this all-in-one, high performance digital imaging sonar exceeds 100 shots per second on short range at up to 2 mm range resolution, and can auto-adjust acoustic frequency and resolution to scan up to a 100 m radius, 360° surrounding area.

The Model 882-GS has low power, simple set-up, and small size that make it an ideal tool for large work ROV's and small inspection vehicles. On it's own it is an amazingly simple drop sonar and borehole inspection package: just add a laptop computer and power supply and run the included Imagenex software.



HARDWARE SPECIFICATIONS:	
FREQUENCY	675 kHz or 1 MHz (standard default settings) -Other frequencies can be selected through programmable software configurations (Tunable from 280 kHz to 1.1 MHz in 5 kHz steps)
TRANSDUCER	Imaging type, fluid compensated
TRANSDUCER BEAM WIDTH	675 kHz: 1.8° x 20° 1 MHz: 0.9° x 10°
RANGE RESOLUTION	1 m – 4 m: 2 mm (0.08") 5 m & up: 10 mm (0.4")
ORIENTATION MODULE (accuracies):	
PITCH & ROLL	± 0.1° typical
HEADING (Magnetic)	± 1.0° typical
MIN. DETECTABLE RANGE	150 mm (6")
MAX. OPERATING DEPTH	300 m and 1000 m available
MAX. CABLE LENGTH	Standard: 100 m on CAT5e (Ethernet) Cable length may be increased up to ~9000 m using an Ethernet extender. Please enquire for more information.
(Optional Serial Interface)	1000 m on typical twisted shielded pair (RS-485)
INTERFACE	Standard: 10 Mbps Ethernet (10 BASE-T) using TCP/IP Bit rate may vary if an Ethernet extender is in use.
(Optional Serial Interface)	RS-485 serial interface @ 115.2 kbps (or optional RS-232)
CONNECTOR	Ethernet IE55-1206-BCR
	Serial IE55-1204-BCR
POWER SUPPLY	20 – 32 VDC at less than 7 Watts
DIMENSIONS	300 m unit: See drawing below 1000 m unit: TBA
WEIGHT: In Air	300 m unit: ~1.2 kg (~2.6 lbs) 1000 m unit: TBA
In Water	300 m unit: ~0.3 kg (~0.7 lbs) 1000 m unit: TBA
MATERIALS	6061-T6 Aluminum & Polyurethane
FINISH	Hard Anodize



SOFTWARE SPECIFICATIONS:	Win881AL.exe
WINDOWS™ OPERATING SYSTEM	Windows™ XP, Vista, 7, 8, 10
MODES	Sector, Polar and Side Scan
GYRO MODES	North Up, Heading Up, Target Steering
RANGE SCALES	1 m, 2 m, 3 m, 4 m, 5 m, 10 m, 20 m, 30 m, 40 m, 50 m, 60 m, 80 m, 100 m
TRAIN ANGLES	Continuous rotation, 3° increments
SECTOR SIZE:	
SECTOR MODE	0° – 180°, 3° increments
POLAR MODE	0° – 357°, 3° increments, or Continuous rotation
STEP SIZES	Slow (0.3°), Medium (0.6°), Fast (0.9°), Faster (1.2°), Fastest (2.4°)
GRID TYPES	Polar and rectangular
FILE FORMAT	(filename).81R
RECOMMENDED MINIMUM COMPUTER REQUIREMENTS:	2 GHz Pentium 4 256 MB RAM 20 GB Hard Disk 1024 x 768 Screen Resolution

ORDERING INFORMATION:		
300 m UNIT	Standard	882-000-100
1000 m UNIT	Standard	882-000-101
RS-232	Option	-006
RS-485	Option	-007
IP Address* (for Ethernet version only)	Option	-020

*Note: Standard IP Address is 192.168.0.5
A different IP Address may be specified upon ordering.

Product and company names listed are trademarks or trade names of their respective companies.