



881A Echo Sounder

445-015 AUGUST 2002-REVISED MAY 2017

IMAGENEX MODEL 881A DIGITAL ECHO SOUNDER

APPLICATIONS:

- ROV, AUV & UUV
- Offshore Oil & Gas
- Surveying
- Underwater Archaeology
- Scientific Research

FEATURES:

- Programmable
- High performance
- Low power
- Simple set-up and installation
- Digital telemetry
- 1 to 100 m operation
- Compact size
- Communication format available to user

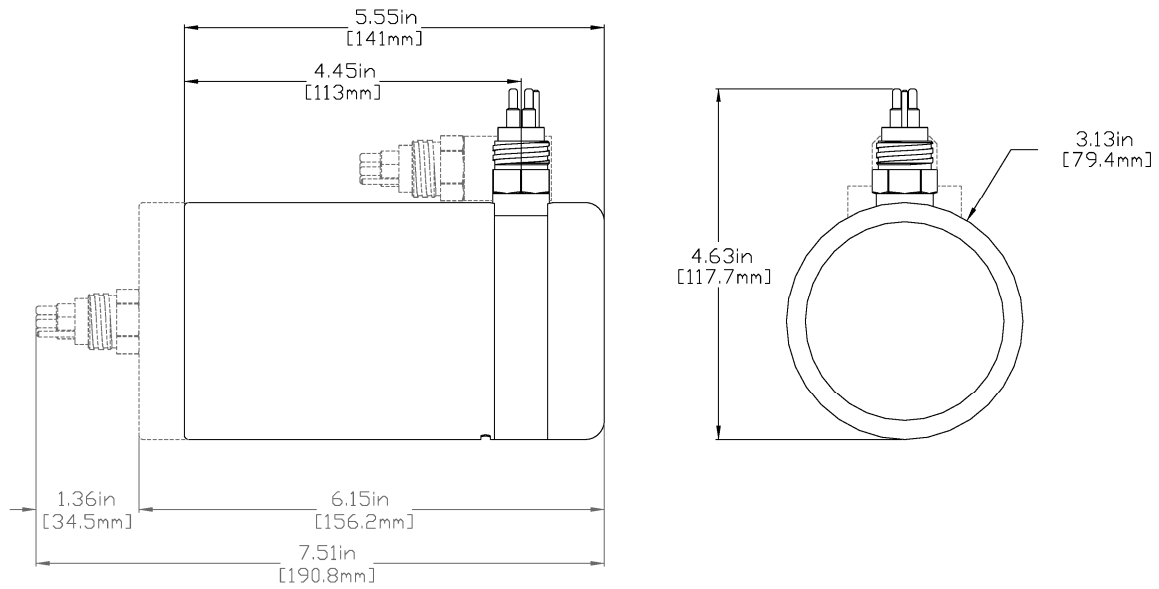
The Imagenex Model 881A Echo Sounder is a completely self-contained echo sounder with a serial output. It is mounted in a pressure-proof housing with an underwater connector for use in depths up to 3000 meters (10000 feet). It can be used as a standard echo sounder or with digitized first returns only. Its requirements are minimal, needing only a power source and a digital interface to an external device such as a personal or laptop computer.



Picture shown with optional right angle connector.

| HARDWARE SPECIFICATIONS: | |
|--|--|
| FREQUENCY | 675 kHz |
| TRANSDUCER | Conical |
| TRANSDUCER BEAM WIDTH | 10°(Standard) |
| RANGE RESOLUTION | 1 m – 4 m: 2 mm (0.08") 5 m & up: 10 mm (0.4") |
| MIN. DETECTABLE RANGE | 150 mm (6") |
| MAX. OPERATING DEPTH | 1000 m and 3000 m available |
| MAX. CABLE LENGTH | 1000 m on typical twisted shielded pair (RS-485) |
| INTERFACE | RS-485 serial interface @ 115.2 kbps (or optional RS-232) |
| CONNECTOR | Side mounted, four conductor wet mateable connector (Subconn MCBH4M-AS) Optional right angle or end mount connector |
| POWER SUPPLY | 20 – 36 VDC at less than 3 Watts |
| DIMENSIONS (for both depth ratings) | 79.4 mm (3.125") diameter x 139 mm (5.5") length |
| WEIGHT: In Air | 1000 m unit: 1.1 kg (2.3 lbs) 3000 m unit: TBA |
| In Water | 1000 m unit: TBA 3000 m unit: TBA |
| MATERIALS | 1000 m unit: 6061-T6 Aluminum & PVC 3000 m unit: Titanium, PVC & 300 series stainless steel |
| FINISH | Hard Anodize |

| SOFTWARE SPECIFICATIONS: | Win881AE.exe |
|---|---|
| WINDOWS™ OPERATING SYSTEM | Windows™ XP, Vista, 7, 8, 10 |
| MODES | Echosounder |
| RANGE SCALES | 1 m, 2 m, 3 m, 4 m, 5 m, 10 m, 20 m, 30 m, 40 m, 50 m, 60 m, 80 m, 100 m |
| FILE FORMAT | (filename).81g |
| RECOMMENDED MINIMUM COMPUTER REQUIREMENTS: | 100 MHz Pentium 16 MB RAM 1 GB Hard Disk 800 x 600 x 256 colour graphics |



| ORDERING INFORMATION: | | |
|------------------------------|----------|-------------|
| 1000 m UNIT | Standard | 881-000-141 |
| 3000 m UNIT | Standard | 881-000-142 |
| RS-232 | Option | -006 |
| End mount connector | Option | -009 |
| Right angle connector | Option | -010 |

Product and company names listed are trademarks or trade names of their respective companies.