

## IMAGENEX MODEL 873 “BLACKFIN 1100” HIGH RESOLUTION SIDESCAN SONAR

### APPLICATIONS:

- Harbour Surveillance
- Search & Recovery
- Law Enforcement Work
- Sunken Timber Recovery
- Surveying
- Scientific Research
- Environmental Survey
- Underwater Archaeology

### FEATURES:

- High resolution 2000 data points per side
- 1000 m depth rating
- 23 m (75') tow cable included
- LAN compatible
- Built-in track plotter
- Record to .XTF in real-time
- Programmable IP Address



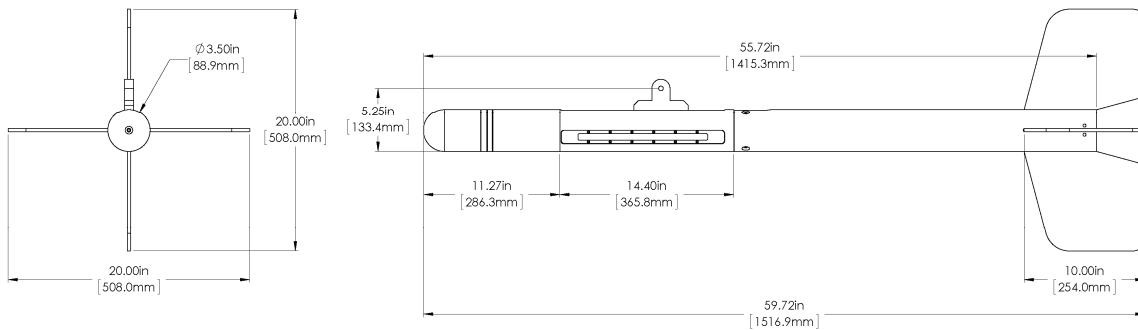
The Imagenex Model 873 “BlackFin” is a full-featured dual channel, high resolution, sidescan sonar. The BlackFin is an affordable, very user friendly system that incorporates a high speed Ethernet connection to your Windows™ based laptop or desktop PC. Zoom windows are available for target investigation without interrupting real-time data acquisition. Data is displayed in real-time, with or without speed correction, in 9 user selectable colour tables.

<b>TOWFISH SPECIFICATIONS:</b>	
<b>FREQUENCY</b>	1.1 MHz
<b>TRANSDUCER</b>	One transducer per side, tilted down 20°
<b>TRANSDUCER BEAM WIDTH</b>	0.25° x 60°
<b>RANGE RESOLUTION</b>	Range scale ÷ 1000 & Range scale ÷ 2000
<b>PULSE LENGTH</b>	10 µs CW / CHIRP
<b>MAX. OPERATING DEPTH</b>	1000 m (~3000')
<b>MAX. CABLE LENGTH</b>	600 m (~2000')
<b>INTERFACE</b>	2-wire Ethernet Extender
<b>CONNECTOR</b>	Wet mateable (Subconn MCBH4M-AS)
<b>POWER SUPPLY</b>	40 – 55 VDC at less than 3 Watts, supplied from Surface Interface Box
<b>DIMENSIONS</b>	89 mm (3.5") diameter x 1517 mm (59.7") length
<b>WEIGHT:</b>	
<b>In Air</b>	15.5 kg (34 lbs)
<b>In Water</b>	12.7 kg (28 lbs)
<b>MATERIALS</b>	6061-T6 Aluminum
<b>FINISH</b>	Anodized, powder coat

<b>SOFTWARE SPECIFICATIONS:</b>	<b>BlackFin.exe</b>
<b>WINDOWS™ OPERATING SYSTEM</b>	Windows™ XP, Vista, 7, 8, 10, 11
<b>ZOOM MODES</b>	1x, 2x, 4x dynamically moveable
<b>RANGE SCALES</b>	10 m, 15 m, 20 m, 30 m, 40 m
<b>FILE FORMAT</b>	(filename).872, (filename).XTF
<b>GPS INPUT</b>	
<b>NMEA 0183 FORMATS:</b>	GLL and VTG; GGA and VTG; RMC
<b>RECOMMENDED MINIMUM COMPUTER REQUIREMENTS:</b>	800 MHz Pentium 3 256 MB RAM 2 GB Hard Disk 1024 x 768 x 256 colour graphics

<b>SURFACE INTERFACE BOX HARDWARE SPECIFICATIONS:</b>	
<b>INTERFACE TO PC</b>	10/100 Mbps Ethernet
<b>INTERFACE TO SONAR HEAD</b>	2-wire Ethernet Extender
<b>CABLE CONNECTOR</b>	5-pin MS (female)
<b>SONAR HEAD POWER SUPPLY OUTPUT</b>	48 VDC
<b>DIFFERENTIAL CAPABLE GPS</b>	Built-in
<b>DIMENSIONS</b>	31 cm (12.2") length x 26 cm (10.2") width x 8.7 cm (3.4") height
<b>WEIGHT</b>	0.9 kg ( 2 lbs)
<b>MATERIALS</b>	Aluminum
<b>FINISH</b>	Powder Coated
<b>POWER REQUIREMENT</b>	110 / 220 VAC 50 / 60 Hz, 0.1 Amp

<b>COMMUNICATIONS PROTOCOL SPECIFICATIONS:</b>	
<b>ETHERNET INTERFACE SPECIFICATION (v1.00)</b>	Filename: High Resolution Sidescan Specification.pdf
<b>SOURCE CODE AVAILABLE FOR TESTING</b>	RecordData_HiRes.cpp



<b>ORDERING INFORMATION:</b>		
<b>1.1 MHz unit w / 23 m tow cable</b>	Standard	873-000-150

Product and company names listed are trademarks or trade names of their respective companies.