
IMAGENEX MODEL 873 “BLACKFIN 1100” HIGH RESOLUTION SIDESCAN SONAR

APPLICATIONS:

- Harbour Surveillance
- Search & Recovery
- Law Enforcement Work
- Sunken Timber Recovery
- Surveying
- Scientific Research
- Environmental Survey
- Underwater Archaeology

FEATURES:

- High resolution 2000 data points per side
- 1000 m depth rating
- 23 m (75') tow cable included
- LAN compatible
- Built-in track plotter
- Record to .XTF in real-time
- Programmable IP Address



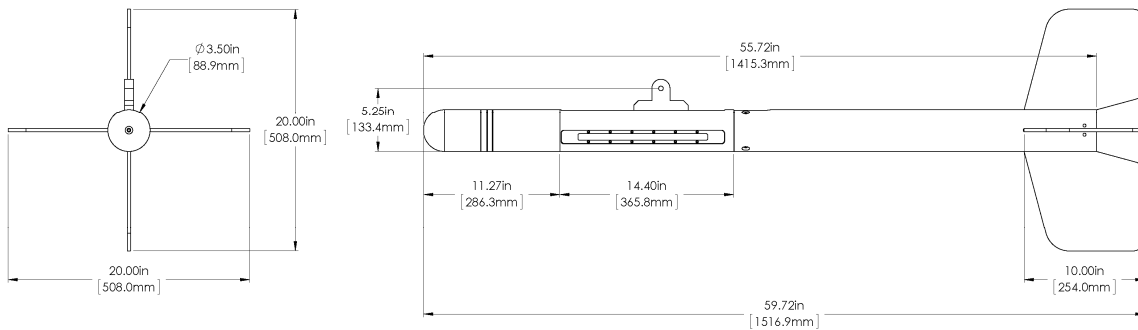
The Imagenex Model 873 “BlackFin” is a full-featured dual channel, high resolution, sidescan sonar. The BlackFin is an affordable, very user friendly system that incorporates a high speed Ethernet connection to your Windows™ based laptop or desktop PC. Zoom windows are available for target investigation without interrupting real-time data acquisition. Data is displayed in real-time, with or without speed correction, in 9 user selectable colour tables.

TOWFISH SPECIFICATIONS:	
FREQUENCY	1.1 MHz
TRANSDUCER	One transducer per side, tilted down 20°
TRANSDUCER BEAM WIDTH	0.25° x 60°
RANGE RESOLUTION	Range scale ÷ 1000 & Range scale ÷ 2000
PULSE LENGTH	10 µs CW / CHIRP
MAX. OPERATING DEPTH	1000 m (~3000')
MAX. CABLE LENGTH	600 m (~2000')
INTERFACE	2-wire Ethernet Extender
CONNECTOR	Wet mateable (Subconn MCBH4M-AS)
POWER SUPPLY	40 – 55 VDC at less than 3 Watts, supplied from Surface Interface Box
DIMENSIONS	89 mm (3.5") diameter x 1517 mm (59.7") length
WEIGHT:	
In Air	15.5 kg (34 lbs)
In Water	12.7 kg (28 lbs)
MATERIALS	6061-T6 Aluminum
FINISH	Anodized, powder coat

SOFTWARE SPECIFICATIONS:	BlackFin.exe
WINDOWS™ OPERATING SYSTEM	Windows™ XP, Vista, 7, 8, 10
ZOOM MODES	1x, 2x, 4x dynamically moveable
RANGE SCALES	10 m, 20 m, 30 m, 40 m, 50 m
FILE FORMAT	(filename).872, (filename).XTF
GPS INPUT	
NMEA 0183 FORMATS:	GLL and VTG; GGA and VTG; RMC
RECOMMENDED MINIMUM COMPUTER REQUIREMENTS:	800 MHz Pentium 3 256 MB RAM 2 GB Hard Disk 1024 x 768 x 256 colour graphics

SURFACE INTERFACE BOX HARDWARE SPECIFICATIONS:	
INTERFACE TO PC	10/100 Mbps Ethernet
INTERFACE TO SONAR HEAD	2-wire Ethernet Extender
CABLE CONNECTOR	6-pin MS (female)
SONAR HEAD POWER SUPPLY OUTPUT	48 VDC
DIFFERENTIAL CAPABLE GPS	Built-in
DIMENSIONS	31 cm (12.2") length x 26 cm (10.2") width x 8.7 cm (3.4") height
WEIGHT	0.9 kg (2 lbs)
MATERIALS	Aluminum
FINISH	Powder Coated
POWER REQUIREMENT	110 / 220 VAC 50 / 60 Hz, 0.1 Amp

COMMUNICATIONS PROTOCOL SPECIFICATIONS:	
ETHERNET INTERFACE SPECIFICATION (v1.00)	Filename: High Resolution Sidescan Specification.pdf
SOURCE CODE AVAILABLE FOR TESTING	RecordData_HiRes.cpp



ORDERING INFORMATION:		
1.1 MHz unit w / 23 m tow cable	Standard	873-000-150

Product and company names listed are trademarks or trade names of their respective companies.