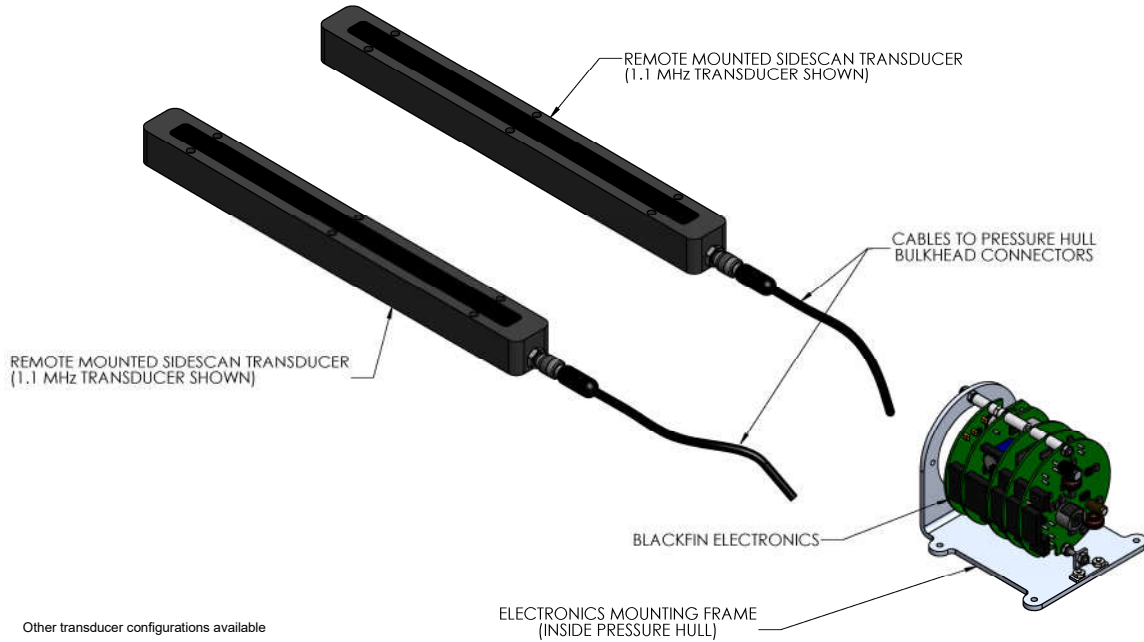


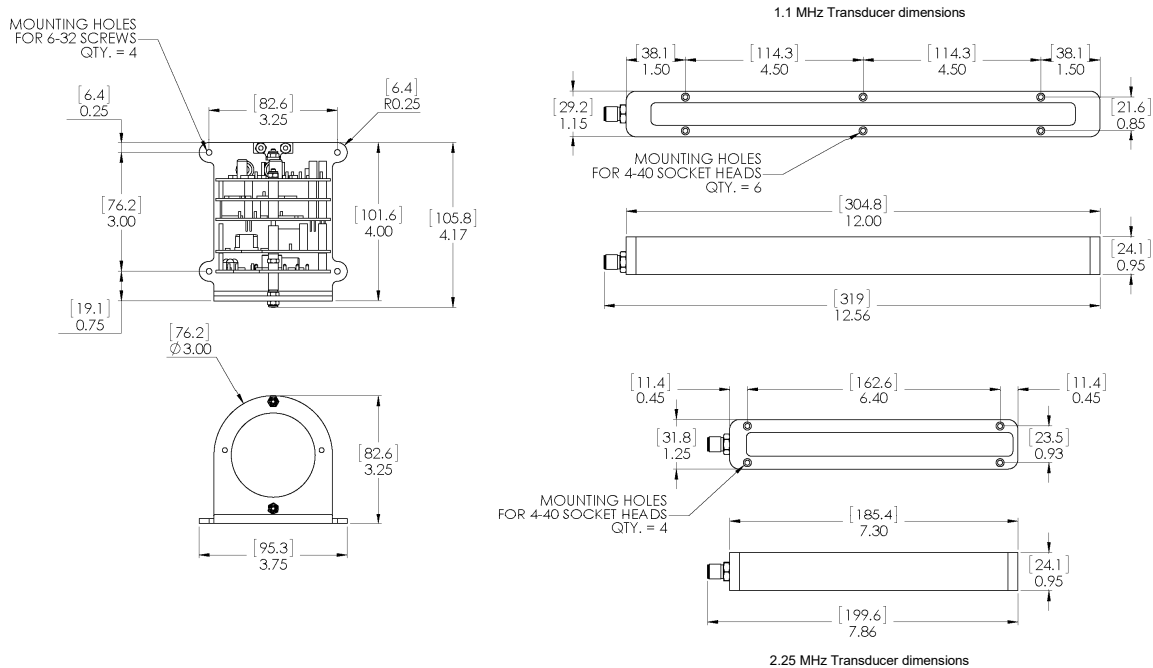
873 BLACKFIN SIDESCAN SONAR KIT (ETHERNET COMMUNICATIONS)



HARDWARE SPECIFICATIONS:	
INTERFACE	10/100 Mbps Ethernet
FREQUENCY	1.1 MHz or 2.25 MHz
TRANSDUCER BEAM WIDTH	0.25° x 60°
RANGE RESOLUTION	Range scale ÷ 1000 & Range scale ÷ 2000
PULSE LENGTH	10 µs CW / CHIRP
POWER SUPPLY	Nominal 24 VDC (20 VDC – 32 VDC) at less than 3 Watts
ELECTRONICS DIMENSIONS	See drawing on p. 2
TRANSDUCER DIMENSIONS	See drawing on p. 2 (Other transducer configurations available)
WEIGHT: In Air	
Transducers*	305 g (0.67 lbs) each
Electronics	270 g (0.59 lbs)

SOFTWARE SPECIFICATIONS:	BlackFin.exe
WINDOWS™ OPERATING SYSTEM	Windows™ XP, Vista, 7, 8, 10
ZOOM MODES	1x, 2x, and 4x dynamically moveable
RANGE SCALES	1.1 MHz: 10 m, 20 m, 30 m, 40 m 2.25 MHz: 5 m, 10 m, 15 m
FILE FORMAT	(filename).872
RECOMMENDED MINIMUM COMPUTER REQUIREMENTS:	800MHz Pentium 3 256 MB RAM 2 GB Hard Disk 1024 x 768 x 256 colour graphics

COMMUNICATIONS PROTOCOL SPECIFICATIONS:	
ETHERNET INTERFACE SPECIFICATION (v1.00)	Filename: High Resolution Sidescan Specification.pdf
SOURCE CODE AVAILABLE FOR TESTING	RecordData_HiRes.cpp



ORDERING INFORMATION:		
1.1 MHz UNIT with Remote Mount Transducers*	Standard	873-000-157
2.25 MHz	Option	-003

*Note: Other transducer configurations available

Product and company names listed are trademarks or trade names of their respective companies.