



IMAGENEX MODEL 852 ULTRA-MINIATURE ECHO SOUNDER

APPLICATIONS:

- ROV Navigation
- Diving Support
- Inspection
- Search & Recovery

FEATURES:

- Ultra-miniature size is ideal for mounting on today's micro ROV's
- Low cost
- Direct connection to laptop computer

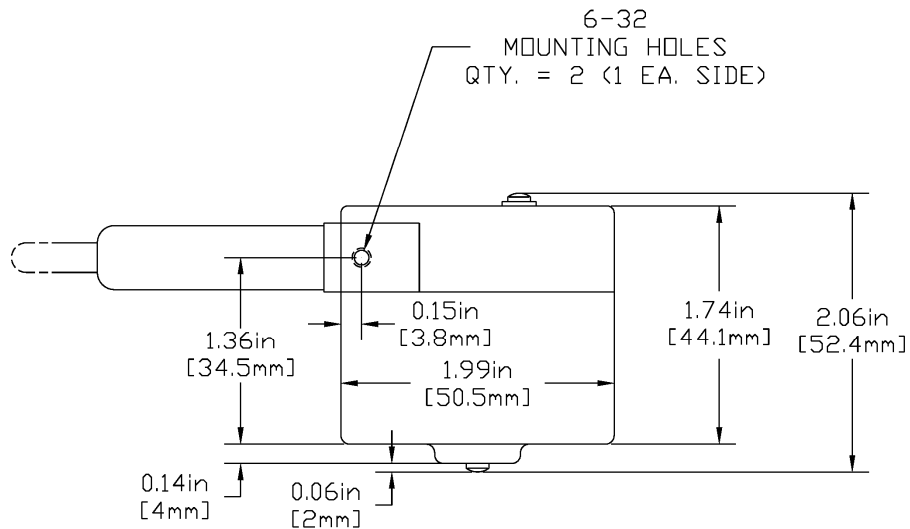
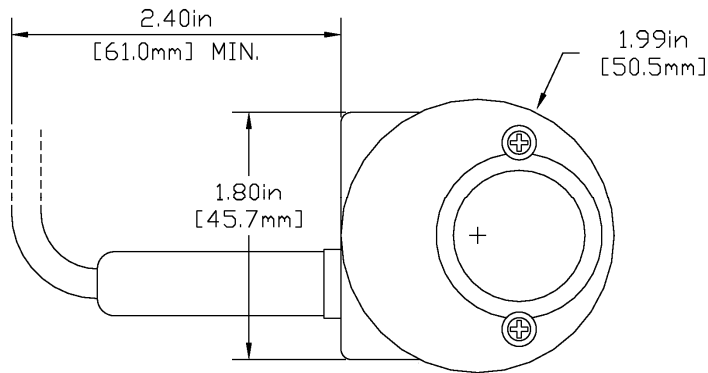
The Model 852 Digital Echo Sounder was designed for use with the smallest of ROV's. For maximum flexibility, the unit requires approximately 1.5 Watts from 9 – 50 VDC. Serial communication is utilized, RS-485 or RS-232 at 115.2 kbps. The maximum operating range is 50 meters.



HARDWARE SPECIFICATIONS:	
FREQUENCY	675 kHz
TRANSDUCER	Conical
TRANSDUCER BEAM WIDTH	10°
RANGE RESOLUTION	20 mm
MIN. DETECTABLE RANGE	500 mm
MAX. OPERATING DEPTH	300 m
MAX. CABLE LENGTH	1000 m on typical twisted shielded pair
INTERFACE	RS-485 @ 115.2 kbps (RS-232 optional)
CONNECTOR	IE55-1206-BCR Penetrator
POWER SUPPLY*	9 – 50 VDC at less than 1.5 Watts
DIMENSIONS	See drawing
WEIGHT: In Air	Approx. 185 g (0.4 lbs) with 24" pigtail
In Water	TBA
MATERIALS	6061-T6 Aluminum
FINISH	Hard Anodize

*For echo sounders manufactured prior to April 2016, please contact Imagenex to confirm operating voltage.

SOFTWARE SPECIFICATIONS:	Win852.exe
WINDOWS™ OPERATING SYSTEM	Windows™ XP, Vista, 7, 8, 10
MODES	Echosounder
RANGE SCALES	5 m, 10 m, 20 m, 30 m, 40 m, 50 m
EXTERNAL INPUT	Depth, Heading, Turns
FILE FORMAT	(filename).852
RECOMMENDED MINIMUM COMPUTER REQUIREMENTS:	100 MHz Pentium 16 MB RAM 1 GB Hard Disk 800 x 600 x 256 colour graphics



ORDERING INFORMATION:		
300 m UNIT	Standard	852-000-140
RS-232	Option	-006
External Trigger	Option (included)	-023

Product and company names listed are trademarks or trade names of their respective companies.