



IMAGENEX MODEL 852 ULTRA-MINIATURE 6000 m ECHO SOUNDER

APPLICATIONS:

- ROV Navigation
- Diving Support
- Inspection
- Search & Recovery

FEATURES:

- Ultra-miniature size is ideal for mounting on today's micro ROV's
- Low cost
- Direct connection to laptop computer
- External trigger available

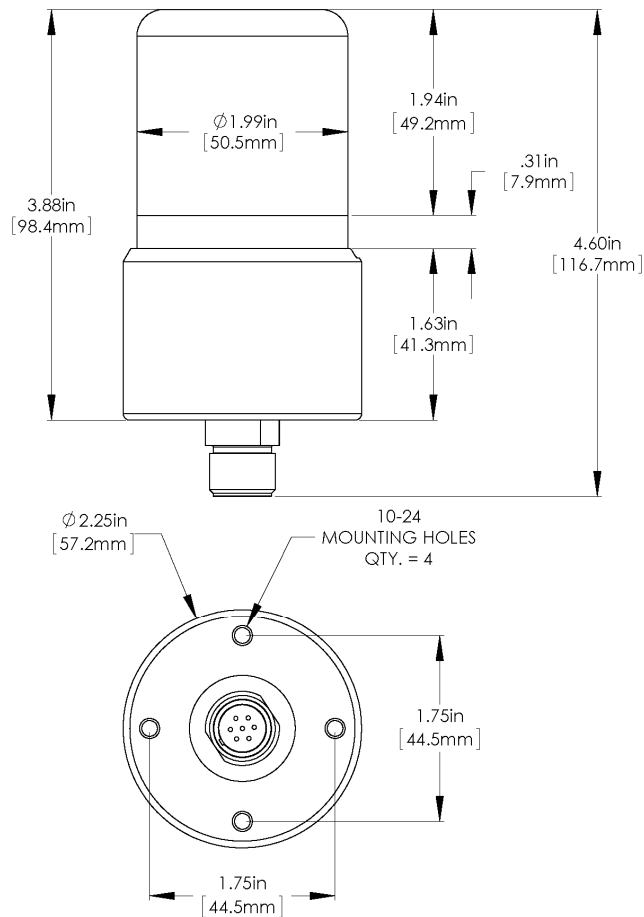
The Model 852 Digital Echo Sounder was designed for use with the smallest of ROV's. For maximum flexibility, the unit requires approximately 1.5 Watts from 9 – 50 VDC. Serial communication is utilized, RS-485 or RS-232 at 115.2 kbps. The maximum operating range is 50 meters.



HARDWARE SPECIFICATIONS:	
FREQUENCY	675 kHz or Optional 330 kHz
TRANSDUCER BEAM WIDTH	9° x 9° (20° conical for 330 kHz)
RANGE RESOLUTION	20 mm
MIN. DETECTABLE RANGE	500 mm
MAX. OPERATING DEPTH	6000 m
MAX. CABLE LENGTH	1000 m on typical twisted shielded pair
INTERFACE	RS-485 @ 115.2 kbps (RS-232 optional)
CONNECTOR*	Subconn MCBH4M-Ti
POWER SUPPLY	9 – 50 VDC at less than 1.5 Watts
DIMENSIONS	See drawing
WEIGHT: In Air	0.53 kg (1.2 lbs)
In Water	~0.34 kg (~0.75 lbs)
MATERIALS	6AL4V Titanium, PVC, Epoxy
FINISH	Natural

*For echo sounders manufactured prior to April 2016, please contact Imagenex to confirm operating voltage.

SOFTWARE SPECIFICATIONS:	Win852.exe
WINDOWS™ OPERATING SYSTEM	Windows™ XP, Vista, 7, 8, 10
MODES	Echosounder
RANGE SCALES	5 m, 10 m, 20 m, 30 m, 40 m, 50 m
EXTERNAL INPUT	Depth, Heading, Turns
FILE FORMAT	(filename).852
RECOMMENDED MINIMUM COMPUTER REQUIREMENTS:	100 MHz Pentium 16 MB RAM 1 GB Hard Disk 800 x 600 x 256 colour graphics



ORDERING INFORMATION:		
6000 m UNIT	Standard	852-000-142
330 kHz	Option	-001
RS-232	Option	-006
External Trigger*	Option	-023

*External Trigger option comes with MKS(W)-307-BCR connector.

Product and company names listed are trademarks or trade names of their respective companies.