



# IMAGENEX MODEL 852 ULTRA-MINIATURE 11000 m ECHO SOUNDER

### APPLICATIONS:

- ROV Navigation
- Diving Support
- Inspection
- Search & Recovery

### FEATURES:

- Ultra-miniature size is ideal for mounting on today's micro ROV's
- Low cost
- Direct connection to laptop computer
- External trigger available

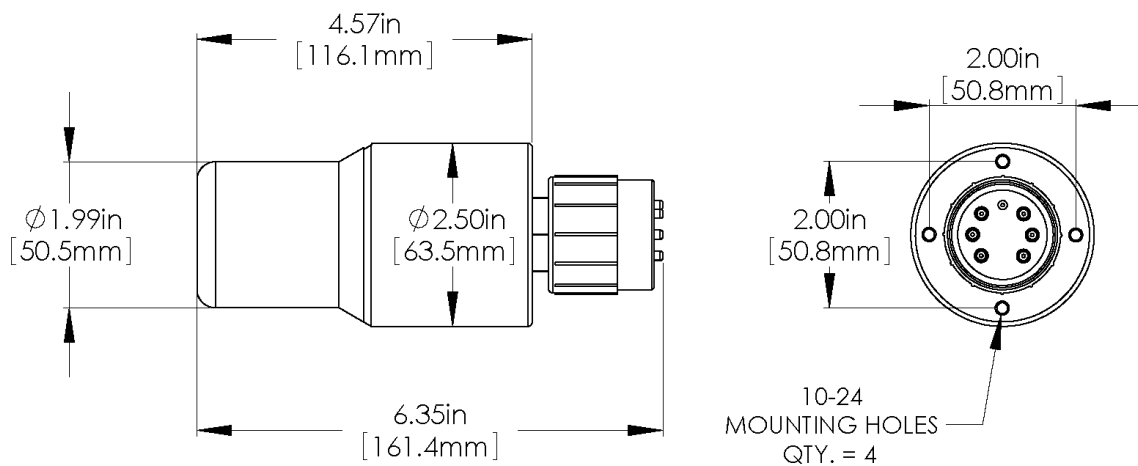
The Model 852 Digital Echo Sounder was designed for use with the smallest of ROV's. For maximum flexibility, the unit requires approximately 1.5 Watts from 9 – 50 VDC. Serial communication is utilized, RS-485 or RS-232 at 115.2 kbps. The maximum operating range is 50 meters.



<b>HARDWARE SPECIFICATIONS:</b>	
<b>FREQUENCY</b>	330 kHz
<b>TRANSDUCER BEAM WIDTH</b>	30° Conical
<b>RANGE RESOLUTION</b>	20 mm
<b>MIN. DETECTABLE RANGE</b>	500 mm
<b>MAX. OPERATING DEPTH</b>	11000 m
<b>MAX. CABLE LENGTH</b>	1000 m on typical twisted shielded pair
<b>INTERFACE</b>	RS-485 @ 115.2 kbps (RS-232 optional)
<b>CONNECTOR</b>	BH6M-Titanium
<b>POWER SUPPLY</b>	9 – 50 VDC at less than 1.5 Watts
<b>DIMENSIONS</b>	See drawing
<b>WEIGHT: In Air</b>	~913 g (~2 lbs)
<b>In Water</b>	~0.75 kg (~1.7 lbs)
<b>MATERIALS</b>	6AL4V Titanium, PVC, Epoxy
<b>FINISH</b>	Natural

\*For echo sounders manufactured prior to April 2016, please contact Imagenex to confirm operating voltage.

<b>SOFTWARE SPECIFICATIONS:</b>	<b>Win852.exe</b>
<b>WINDOWS™ OPERATING SYSTEM</b>	Windows™ XP, Vista, 7, 8, 10
<b>MODES</b>	Echosounder
<b>RANGE SCALES</b>	5 m, 10 m, 20 m, 30 m, 40 m, 50 m
<b>EXTERNAL INPUT</b>	Depth, Heading, Turns
<b>FILE FORMAT</b>	(filename).852
<b>RECOMMENDED MINIMUM COMPUTER REQUIREMENTS:</b>	100 MHz Pentium 16 MB RAM 1 GB Hard Disk 800 x 600 x 256 colour graphics



<b>ORDERING INFORMATION:</b>		
<b>11000 m UNIT</b>	Standard	852-000-145
RS-232	Option	-006

Product and company names listed are trademarks or trade names of their respective companies.