
IMAGENEX MODEL 852-GS GYRO STABILIZED ULTRA-MINIATURE PROFILING SONAR

APPLICATIONS:

- ROV, AUV, & UUV
- Manned Submersibles
- Dam Face Inspection
- Scientific Research
- Drop sonar
- Borehole Inspection

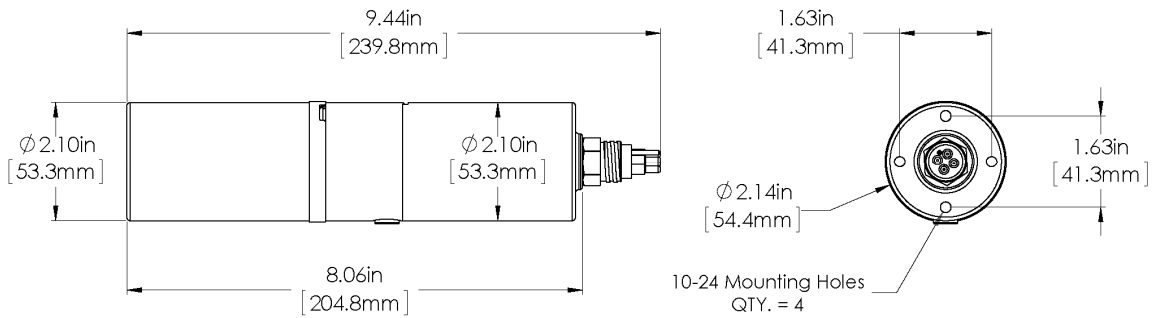
FEATURES:

- Ultra-miniature size is ideal for mounting on today's micro ROV's
- Gyro stabilized transducer steering
- Low power
- Simple set-up and installation
- Orientation module



HARDWARE SPECIFICATIONS:	
FREQUENCY	675 kHz
TRANSDUCER	Profiling type, fluid compensated
TRANSDUCER BEAM WIDTH	3° conical
RANGE RESOLUTION	5 m & up: 10 mm (0.4") @ 500 data points or 20 mm (0.8") @ 250 data points (Polar mode)
ORIENTATION MODULE (accuracies):	
PITCH & ROLL	TBA
HEADING (Magnetic)	TBA
MIN. DETECTABLE RANGE	150 mm (6")
MAX. OPERATING DEPTH	300 m
MAX. CABLE LENGTH	1000 m on typical twisted shielded pair (RS-485)
INTERFACE	RS-485 serial interface @ 115.2 kbps (or optional RS-232)
CONNECTOR	Subconn MCBH4MP
POWER SUPPLY	12 – 50 VDC at less than 3 Watts
DIMENSIONS	54.4 mm (2.14") diameter x 204.7 mm (8.06") length
WEIGHT: In Air	~0.75 kg (~1.65 lbs)
In Water	~0.33 kg (~0.73 lbs)
MATERIALS	6061-T6 Aluminum & Polyurethane
FINISH	Hard Anodize

SOFTWARE SPECIFICATIONS:	Win881ALGS.exe
WINDOWS™ OPERATING SYSTEM	Windows™ XP, Vista, 7, 8, 10
MODES	Sector, Polar, and Side Scan
GYRO MODES	North Up, Heading Up, Target Steering
RANGE SCALES	5 m, 10 m, 20 m, 30 m, 40 m, 50 m
TRAIN ANGLES	Continuous rotation, 3° increments
SECTOR SIZE:	
SECTOR MODE	0° – 180°, 3° increments
POLAR MODE	0° – 357°, 3° increments, or Continuous rotation
STEP SIZES	Slow (0.3°), Medium (0.6°), Fast (0.9°), Faster (1.2°), Fastest (2.4°)
GRID TYPES	Polar and rectangular
FILE FORMAT	(filename).81R
RECOMMENDED MINIMUM COMPUTER REQUIREMENTS:	2 GHz Pentium 4 256 MB RAM 20 GB Hard Disk 1024 x 768 Screen Resolution



ORDERING INFORMATION:		
300 m UNIT	Standard	852-000-420
RS-232	Option	-006
External Trigger	Option	-023

Product and company names listed are trademarks or trade names of their respective companies.