



## 850 Precision Altimeter

445-107 APRIL 2019-REVISED MARCH 2022

# IMAGENEX MODEL 850 PRECISION ALTIMETER

### APPLICATIONS:

- Single Beam bathymetry
- Measure range to other structures & objects
- Monitor sedimentation or scouring
- Measure altitude of structures & objects
- Touch down monitoring
- ROV, AUV, & UUV

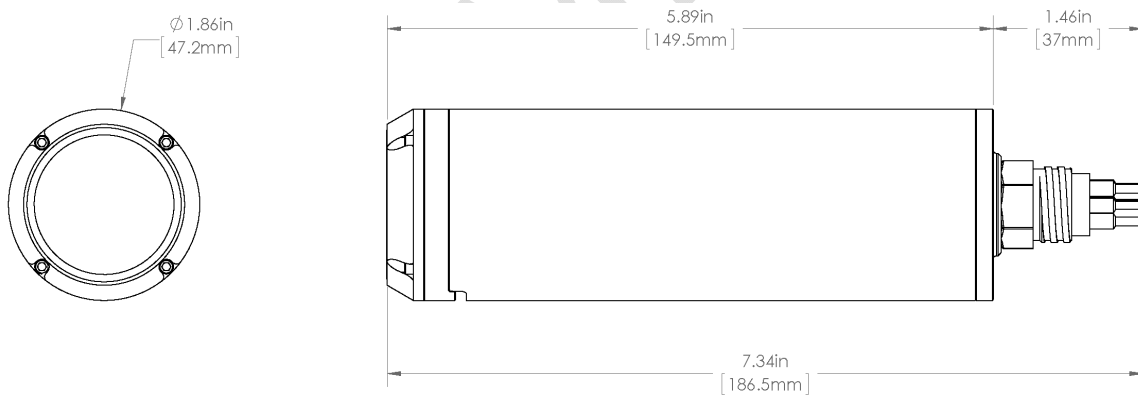
### FEATURES:

- NMEA 0183 Serial Output
- 1 mm resolution
- Wide voltage input
- Free running output
- Low power
- Low cost



The Imagenex Model 850 Precision Altimeter accurately measures the range to the bottom, surface, obstacles or objects. It is a completely self-contained unit, less than 2" in diameter and approximately 7" long, making it ideal to use for many applications. With your choice of 500 kHz or 200 kHz, it requires only power and an RS-232 or RS-485 serial interface to an external device.

<b>HARDWARE SPECIFICATIONS:</b>	
<b>FREQUENCY</b>	500 kHz or 200 kHz
<b>RANGE</b>	500 kHz: 0.3 m – 50 m (1' – 164') 200 kHz: 0.7 m – 100 m (2.3' – 328')
<b>TRANSDUCER</b>	Conical beam
<b>TRANSDUCER BEAM WIDTH</b>	500 kHz: 10° 200 kHz: 20°
<b>TRANSMIT PULSE LENGTH</b>	500 kHz: 10 microseconds 200 kHz: 30 microseconds
<b>RANGE RESOLUTION</b>	500 kHz: 1 mm 200 kHz: 2 mm
<b>MIN. DETECTABLE RANGE</b>	500 kHz: 0.3 m (1') 200 kHz: 0.7 m (2.3')
<b>MAX. OPERATING DEPTH</b>	700 m (or 6000 m available)
<b>INTERFACE</b>	RS-232 @ 115.2 kbps (RS-485 optional) (other baud rates available) Ethernet available
<b>CONNECTOR</b>	Four conductor, wet mateable (Subconn MCBH4M-AS)
<b>POWER SUPPLY</b>	12 – 50 VDC at less than 2 Watts
<b>DIMENSIONS</b>	47.2 mm (1.86") diameter x 186.5 mm (7.34") length
<b>WEIGHT: In Air</b>	~300 g (~0.7 lbs)
<b>In Water</b>	~60 g (~0.2 lbs)
<b>MATERIALS</b>	Delrin & 6061-T6 Aluminum
<b>FINISH</b>	Anodized



<b>ORDERING INFORMATION:</b>		
<b>700 m UNIT (500 kHz)</b>	Standard	850-000-140
<b>6000 m UNIT (500 kHz)</b>	Standard	850-000-141
RS-485	Option	-007
External Trigger*	Option	-023
200 kHz	Option	-057
Ethernet*	Option	-058
Pitch, Roll, & Compass*	Option	-059

\*TBD

Product and company names listed are trademarks or trade names of their respective companies.