



# IMAGENEX MODEL 831L DIGITAL PIPE PROFILING SONAR

### APPLICATIONS:

- Profiling
- Pipeline Inspection
- Scientific Research

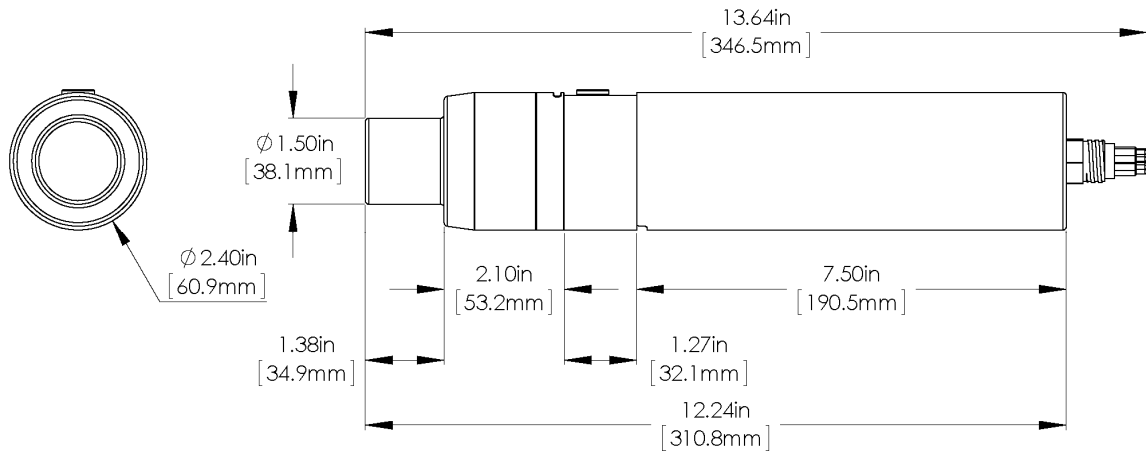
### FEATURES:

- **Ethernet**
- Programmable
- High performance
- Scans 360° in 1.3 sec (up to 1 m range)
- Low power
- 0.125 m to 6 m operation (full scale)
- Compact size
- Communication format available to user
- Built in Pitch/Roll sensor



| HARDWARE SPECIFICATIONS: |  |
|--------------------------|--|
| FREQUENCY                | 2.25 MHz   |
| TRANSDUCER               | Profiling type, fluid compensated  |
| TRANSDUCER BEAM WIDTH    | 1.4° conical   |
| RANGE RESOLUTION         | 0.5 mm   |
| MIN. DETECTABLE RANGE    | 50 mm (~ 2")   |
| MAX. OPERATING DEPTH     | 1000 m   |
| MAX. CABLE LENGTH        | Standard: 100 m on CAT5e<br>Cable length may be increased up to ~9000 m using an Ethernet extender. Please enquire for more information. |
| INTERFACE                | Standard: 10 Mbps Ethernet (10 BASE-T) using TCP/IP<br>Bit rate may vary if an Ethernet extender is in use.                              |
| CONNECTOR                | End mounted, eight conductor, wet mateable (Subconn MCBH8M-AS)   |
| POWER SUPPLY             | 20 – 32 VDC at less than 5 Watts   |
| DIMENSIONS               | 61 mm (2.4") diameter x 347 mm (13.64") overall length   |
| WEIGHT: In Air           | 1.2 kg (2.6 lbs)   |
| In Water                 | 0.4 kg (0.8 lb)  |
| MATERIALS                | 6061-T6 Aluminum & Polyurethane  |
| FINISH                   | Hard Anodize   |

|   |  |
|---|--|
| <b>SOFTWARE SPECIFICATIONS:</b>                   | <b>PipeSonarL.exe</b>  |
| <b>WINDOWS™ OPERATING SYSTEM</b>                  | Windows™ XP, Vista, 7, 8, 10   |
| <b>MODES</b>                                      | Polar  |
| <b>RANGE SCALES</b>                               | 0.125 m, 0.25 m, 0.50 m, 0.75 m,<br>1 m, 2 m, 3 m, 4 m, 5 m, 6 m                 |
| <b>TRAIN ANGLES</b>                               | Continuous rotation, 9° increments   |
| <b>SECTOR SIZE</b>                                | 0° – 351°, 9° increments, or Continuous rotation                                 |
| <b>STEP SIZE</b>                                  | 0.9°   |
| <b>GRID TYPES</b>                                 | Polar and rectangular  |
| <b>FILE FORMAT</b>                                | (filename).31L   |
| <b>RECOMMENDED MINIMUM COMPUTER REQUIREMENTS:</b> | 2 GHz Pentium 4<br>256 MB RAM<br>20 GB Hard Disk<br>1024 x 768 screen resolution |



|                              |          |              |
|------------------------------|----------|--------------|
| <b>ORDERING INFORMATION:</b> |          |              |
| <b>1000 m UNIT</b>           | Standard | 831L-000-200 |
| IP Address*                  | Option   | -020         |

\*Note: Standard IP Address is 192.168.0.5  
A different IP Address may be specified upon ordering.

Product and company names listed are trademarks or trade names of their respective companies.