

**I M A G E N E X**

# **IMAGENEX TECHNOLOGY CORP.**

## **Model 850 Precision Altimeter**

Imagenex Technology Corp.  
209-1875 Broadway Street  
Port Coquitlam, BC, Canada  
V3C 4Z1

Telephone: (604) 944-8248  
Fax: (604) 944-8249

Email: [info@imagenex.com](mailto:info@imagenex.com)  
World Wide Web: <http://www.imagenex.com>

<b>Number</b>	430 - 045	
<b>Revision</b>	<b>Date</b>	<b>Description</b>
00	2020-05-06	Official release

# Table of Contents

<b>1.0 System Description.....</b>	<b>1</b>
<b>2.0 Getting Started:.....</b>	<b>1</b>
2.1 Sonar Connections and Software.....	1
2.1.1 <i>Physical Setup</i> .....	1
2.1.2 <i>Software Setup</i> .....	1
2.2 Initial Power Up and Operation.....	1
2.2.1 <i>Operation</i> .....	1
<b>A - USB Data Converters and Windows XP®.....</b>	<b>2</b>
A.1 - Virtual Communication Ports.....	2
A.2 - Common Windows® Issues related to all USB <--> Serial Converters.....	3
A.3 - Determining the Assigned Com Port For All USB <--> Serial Converters.....	4
<b>B - Diagrams.....</b>	<b>8</b>

# Table of Figures

Figure 1 - Overview of USB Data Converter Logic Flow.....	2
Figure 2 - System Properties.....	4
Figure 3 - System Properties - Select Hardware Tab.....	5
Figure 4 - Device Manager – Select Ports and double click device.....	5
Figure 5 - Port Properties – Select “Port Settings”.....	6
Figure 6 - Port Properties - Click "Advanced".....	6
Figure 7 - Advanced Port Properties - Select Com Port Number.....	7
Figure 8 - Creating a Device Manager Shortcut.....	7
Figure 9 - 850-200-458 - 850 Precision Altimeter Cable Diagram.....	8

## 1.0 System Description

The Imagenex 850 precision altimeter has been designed to be simple, reliable, and accurate.

The system consists of an underwater sonar head connected by either a RS232 or RS485 serial connection directly to a PC type computer and a 12-50V<sub>DC</sub> power supply. In a typical installation the power supply and PC are supplied by the customer. The cable which comes with the unit has an underwater mate-able connector for the sonar side, and a standard DB9 Female connector for the serial communications. The cable is made up with bare wires for power, red goes to positive, black to negative. The sonar head uses approximately 50mA at 24V<sub>DC</sub>.

## 2.0 Getting Started:

### 2.1 Sonar Connections and Software

#### 2.1.1 Physical Setup

1. Ensure The power supply is set to between 12V<sub>DC</sub> and 50V<sub>DC</sub>.
2. Plug the included test cable into the 850.
3. Plug the DB9 serial connector into the computer.

#### 2.1.2 Software Setup

The model 850 outputs an NMEA type ASCII string at 115.2kbps (115200bps) that can be read by a serial terminal program. Microsoft has removed the popular HyperTerm program from it's operating systems as of Windows 7. There are many available on the internet

### 2.2 Initial Power Up and Operation

After you are sure you have correctly wired the system, turn the power on to the sonar and your computer. After the operating system has started, run the user determined serial terminal program.

#### 2.2.1 Operation

When you start running the terminal program, select the correct COM port, set the baud rate to 115.2kbps (115200bps), N,8,1(No Parity 'N',8 data bits '8',1 stop bit '1') and the display to "ASCII".

The output of the model 850 will appear on the screen as:

\$PADBT,000.000,f,000.000,M,000.000,F\*30

The values displayed are based on a sound velocity of 1470.0 m/s. If the actual measured sound velocity is different multiply the result as:

$$\text{Actual range} = \text{value} * \left( \frac{\text{SoundVelocity}_{\text{actual}}}{1470.0} \right)$$

# A - USB Data Converters and Windows XP©

With the proliferation of the “*Universal Serial Bus*” (USB) compatible devices available for notebook and desktop computers, manufacturers are rapidly omitting physical serial ports on there products in order to cut production costs. The USB bus is extremely versatile as there are no Com Port conflicts, no IRQ's to deal with, and has support for up to 256 devices on one bus (while there are usually multiple USB ports on a computer, there are usually only two physical USB buses) .

With all that is going for it, one would wonder why use serial devices at all. Good question. Major factors in retaining a true physical serial device are:

Cable length – USB has a maximum cable length support of 5m (~16')

Latency – USB is a packet driven technology and as such delays occur due to USB driver packaging schemes.

## A.1 - Virtual Communication Ports

To get a serial device (RS-232 or RS-485) connected to a computer that only has USB ports, a converter needs to be installed in-line between the USB port and the serial device. These converters install a special driver in Windows called a “Virtual Com Port” This software will emulate a serial port so that serial enabled software can simply “see” the USB port as a serial port. See the figure below for an overview.

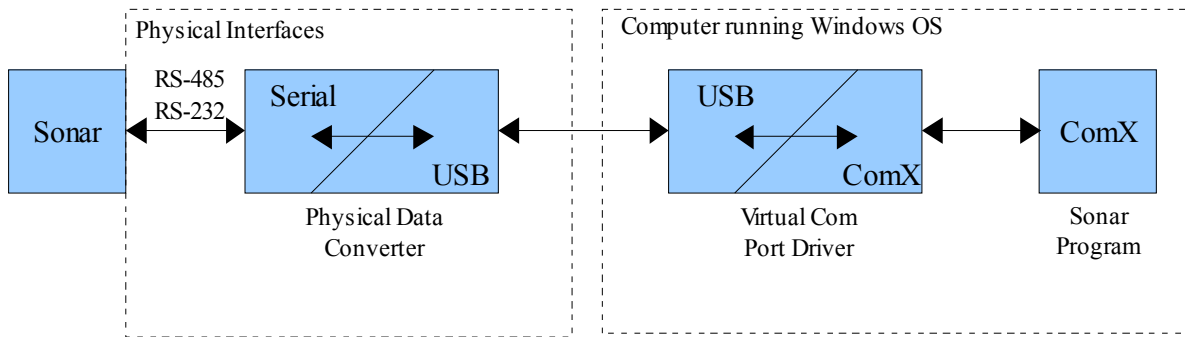


Figure 1 - Overview of USB Data Converter Logic Flow

One caveat is that Windows can get “confused” if a device is plugged into a USB port while there is data being transmitted through it. Windows thinks that the device is a "pen mouse" and the mouse cursor will behave erratically. If this happens, the computer will need to be restarted. To circumvent this phenomena, **DO NOT** connect GPS, or other devices to the USB adapter until the adapter is fully functional (i.e. plug the converter into the computer and wait until Windows sets it up and assigns it a Com Port number **BEFORE** plugging a serial device into the converter).

Generally, once a converter is correctly installed, Windows will assign a Com Port number to **A PARTICULAR** device on **A PARTICULAR** USB port. Once this is done, things run pretty smoothly....until the operator changes something....

## A.2 - Common Windows® Issues related to all USB <--> Serial Converters

This section is directed towards a USB device that is encoded with a serial number. If the USB is not encoded with a serial number, Windows will not assign a different Com Port number for each device. It will still, however, assign a different Com Port number for each physical USB port.

Windows XP will assign a Com Port number to a USB device when it is first installed in the system. However, it will assign a **DIFFERENT Com Port** number to the same device when it is plugged into a **DIFFERENT USB port** on the same computer. To further complicate matters, Windows XP will assign a **DIFFERENT Com Port** number to a **DIFFERENT** device when it is plugged into the **SAME USB port** on the same computer.

*Table 1 – Windows Com Port Assignment Scheme*

Converter	USB Port	Assigned Com Port
A	A	4
A	B	5
A	A	4
B	A	5

The table above indicates a possible scenario where various converters are plugged into various USB ports. The assigned Com Port numbers above are only for illustration purposes. Windows will actually assign the device the next available Com number.

For example, If you first plug the device into the BACK USB port of the laptop, Windows will assign it a Com Port number of (for arguments sake) '4'. When you start the DeltaT software, you set the GPS Com Port to '4', and it runs fine. The next time you use the device, you plug the same device into the SIDE USB port on the laptop. Windows will then assign the device a Com Port number of (again, for arguments sake) '5'. Now when you start the DeltaT software, it cannot open, or find, Com Port '4' as the device is now set to Com Port '5'. You set the Com Port in DeltaT to '5' and it again runs fine.

There is no solution for this behaviour. It is a Windows function, and Imagenex has no control as to how the Com Ports are assigned to a device.

Our suggestion is to only use the same USB port for each device. For example, only use the BACK USB port for GPS input.

Also, if a different serial device is plugged into the same USB port, Windows will assign it a different Com Port again. For example, if Com Ports '4' and '5' are already taken, Windows will assign it Com Port '6'.

To make a long story short. Windows assigns a specific Com Port to a specific serial device plugged into a specific USB port. If any combination changes, Windows will assign a different Com Port.

### A.3 - Determining the Assigned Com Port For All USB <--> Serial Converters

This section describes various procedures for determining the assigned Com Port of a converter. This document assumes the Windows XP Pro operating system and other computers may appear differently. However, the procedures will be similar regardless of the Windows version.

To access the Device Manager from the Desktop:

1. Right click on "My Computer"
2. Left click "Properties"
3. Follow the following Illustrations to Set the Com Port Number of the Device. Note that these Illustrations are for the ATEN UC-232A Device. Also, Ignore the baud rate settings. Imagenex software automatically opens the port at the correct parameters.

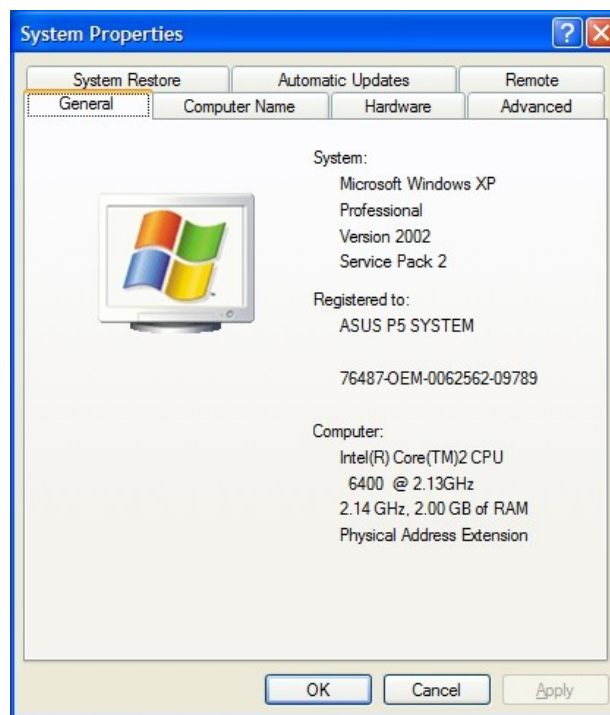


Figure 2 - System Properties



Figure 3 - System Properties - Select Hardware Tab

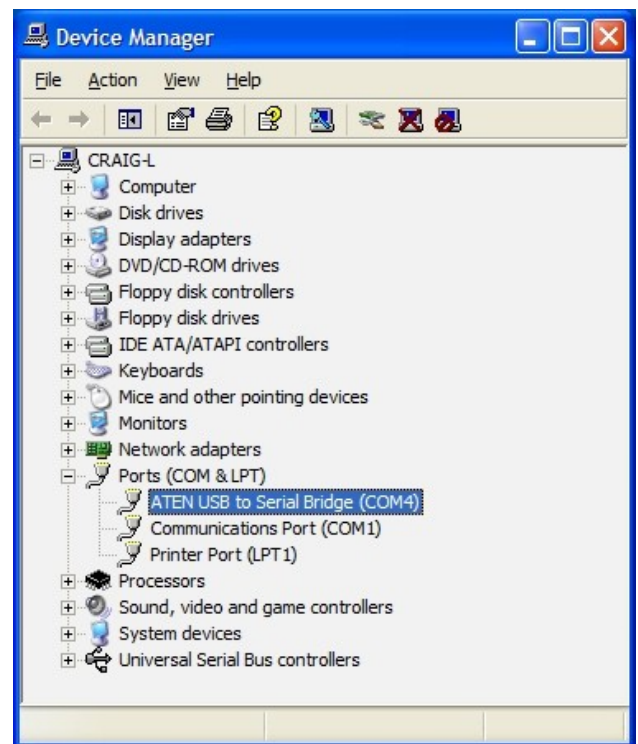


Figure 4 - Device Manager – Select Ports and double click device



Figure 5 - Port Properties – Select “Port Settings”

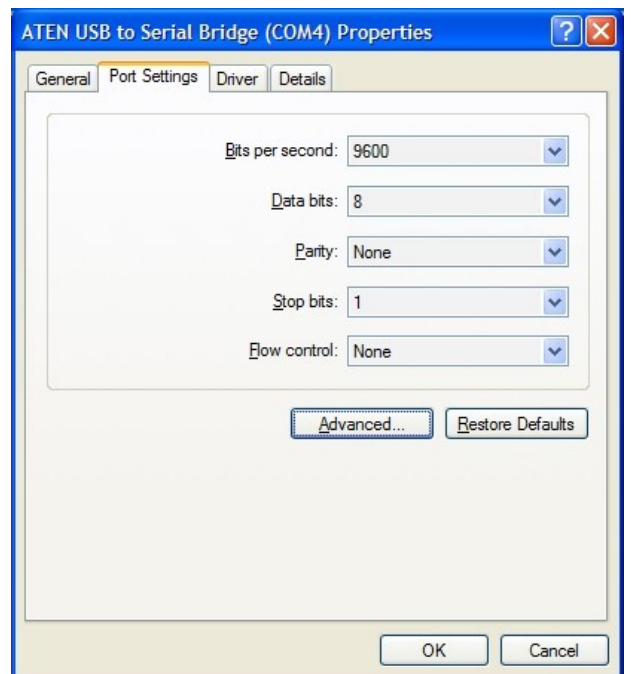


Figure 6 - Port Properties - Click "Advanced"



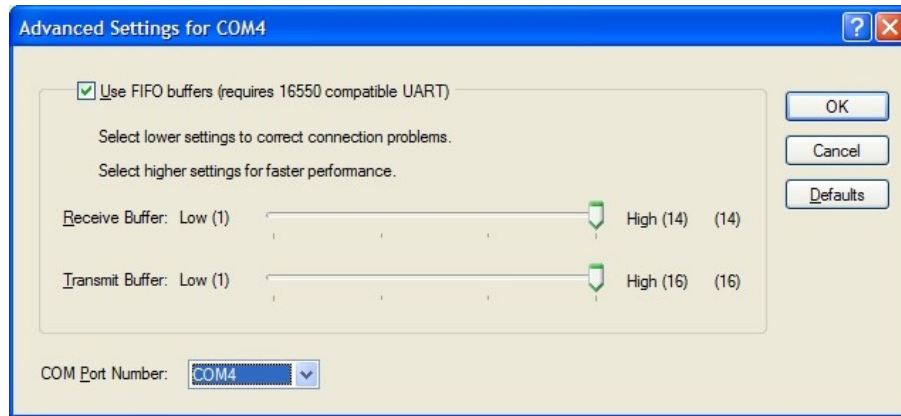


Figure 7 - Advanced Port Properties - Select Com Port Number

### Quick Tip

To make a shortcut to the Device Manager on the Windows desktop:

1. Right click on the Windows desktop
2. Select "New" --> Shortcut
3. Enter "devmgmt.msc"
4. Select "Next"
5. Enter "Device Manager"
6. Select Finish

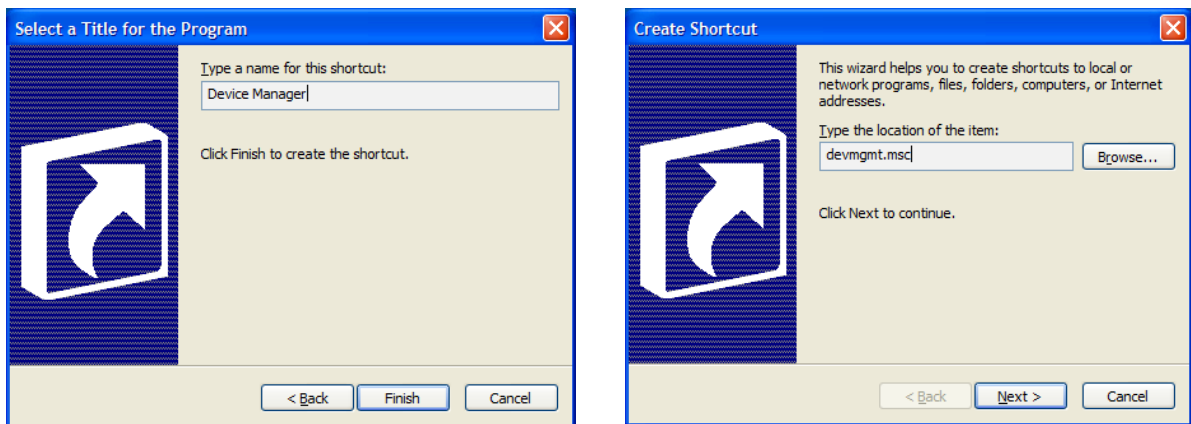


Figure 8 - Creating a Device Manager Shortcut

# B - Diagrams

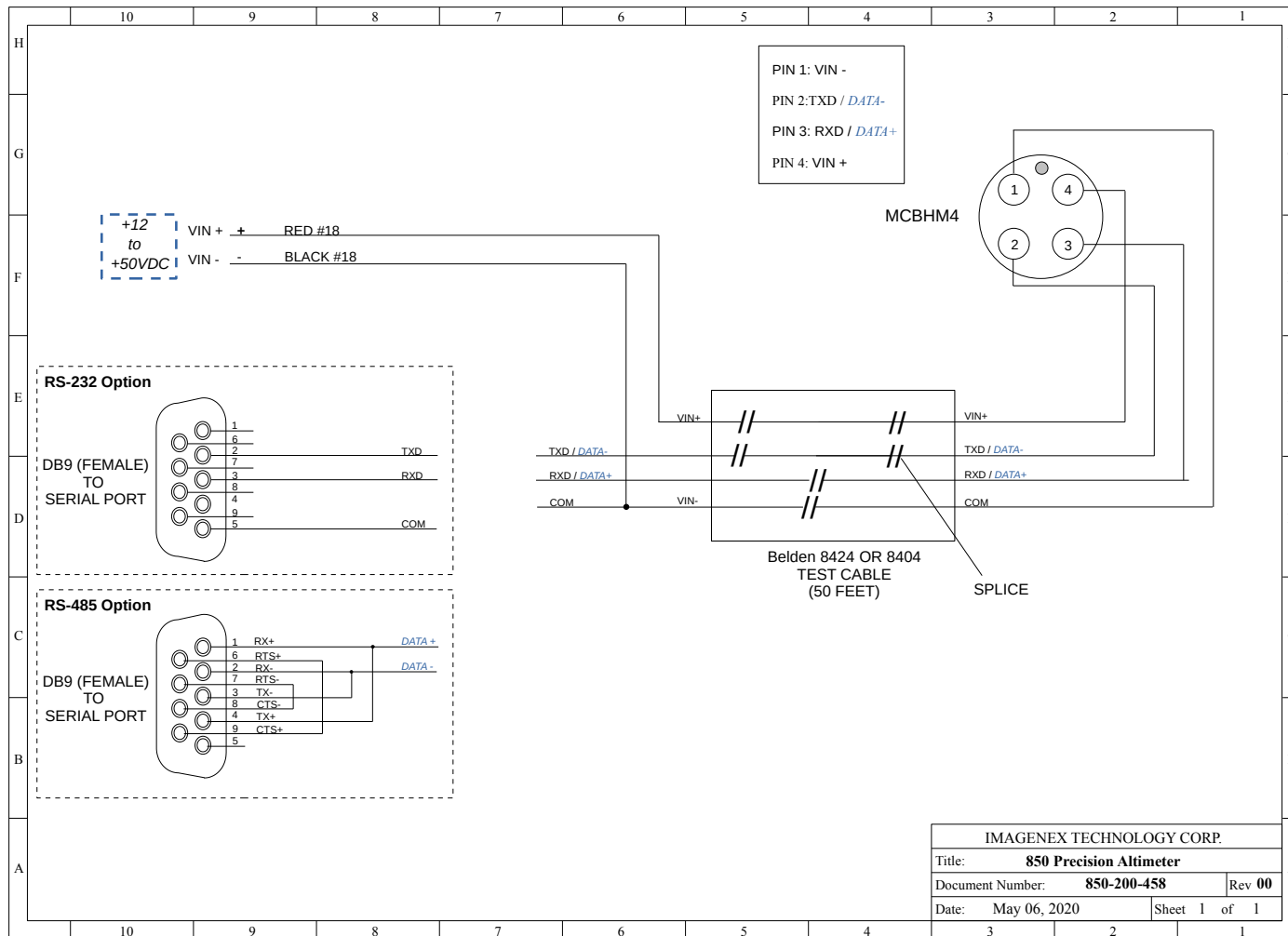


Figure 9 - 850-200-458 - 850 Precision Altimeter Cable Diagram