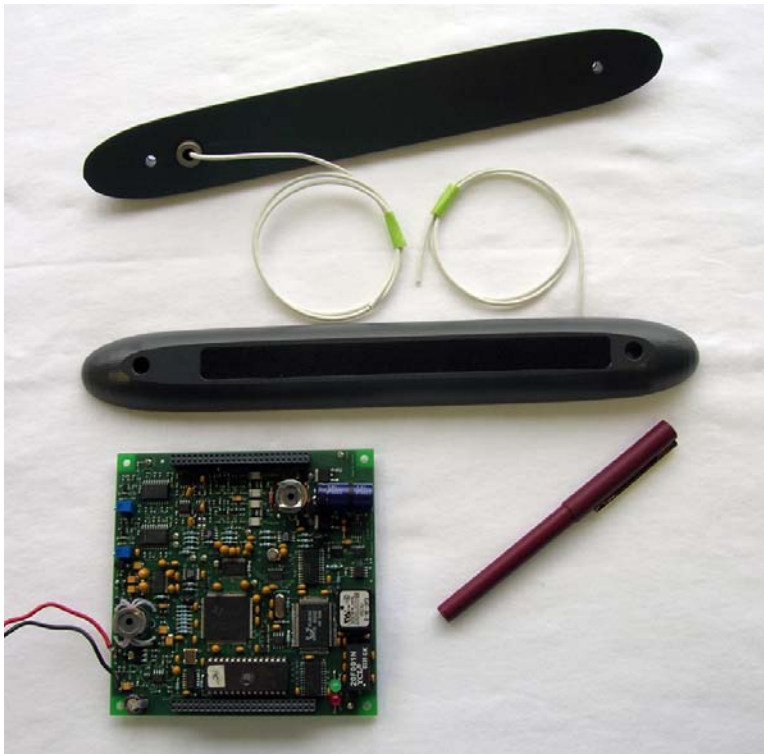


SIDESCAN SONAR KIT (ETHERNET COMMUNICATIONS)

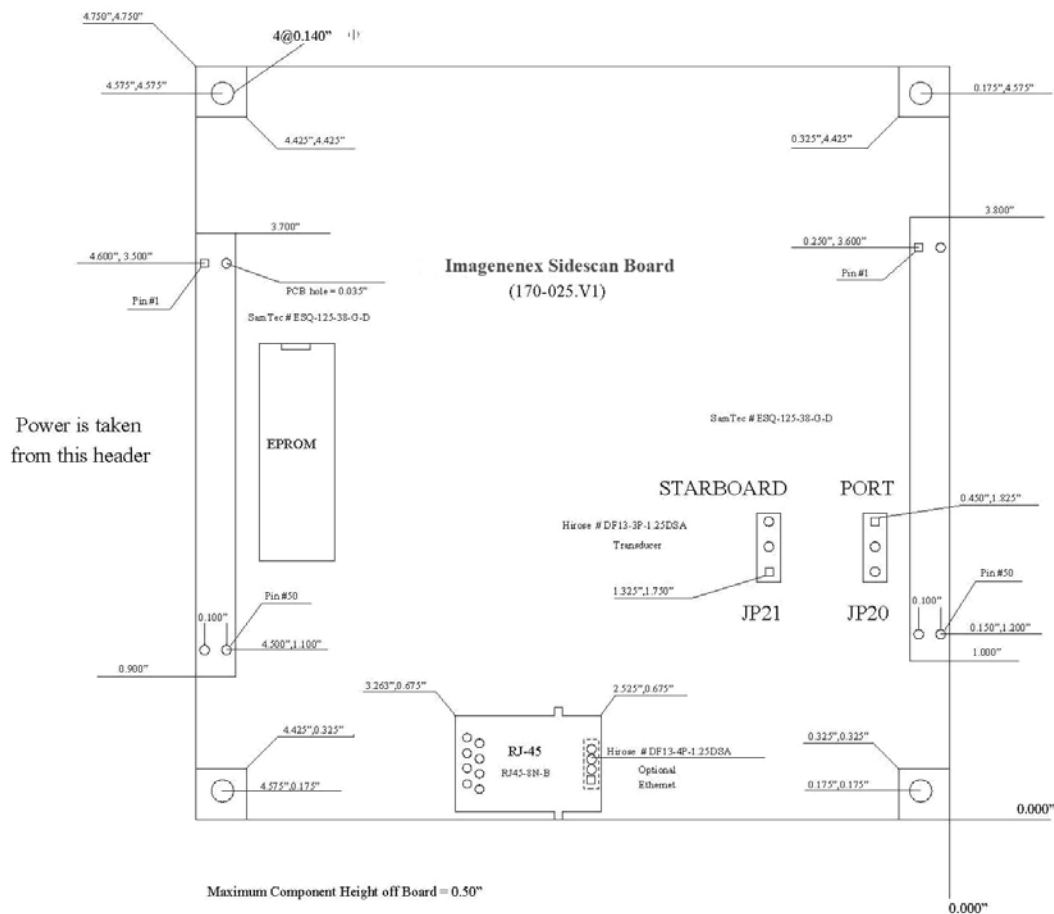


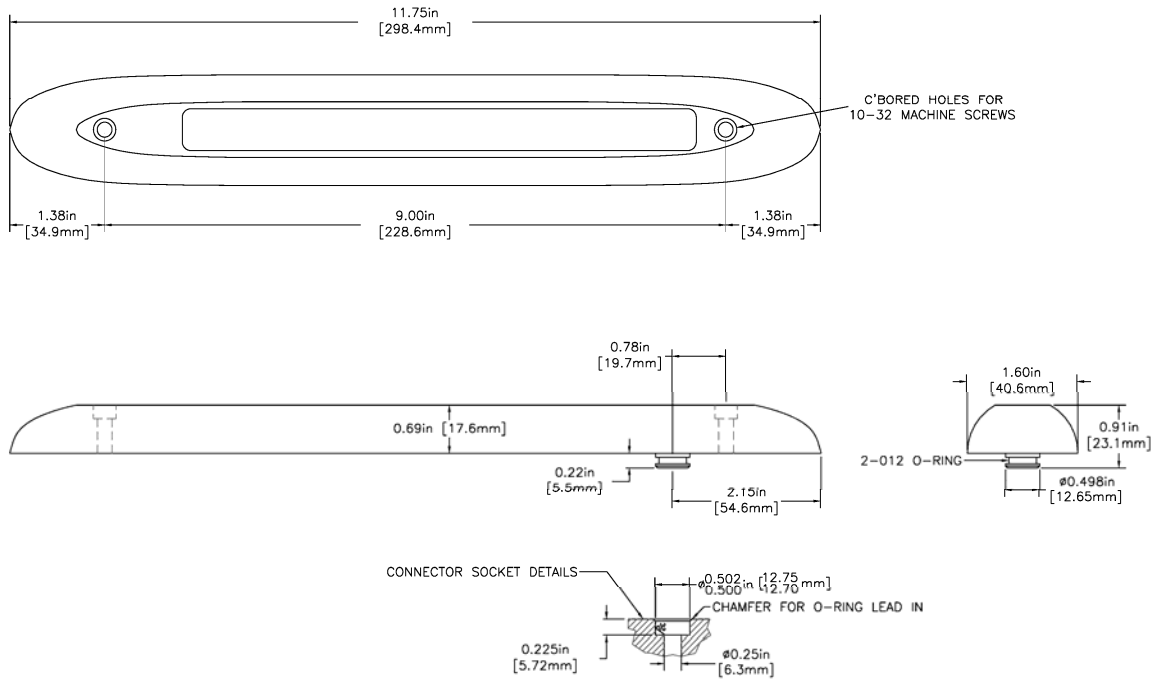
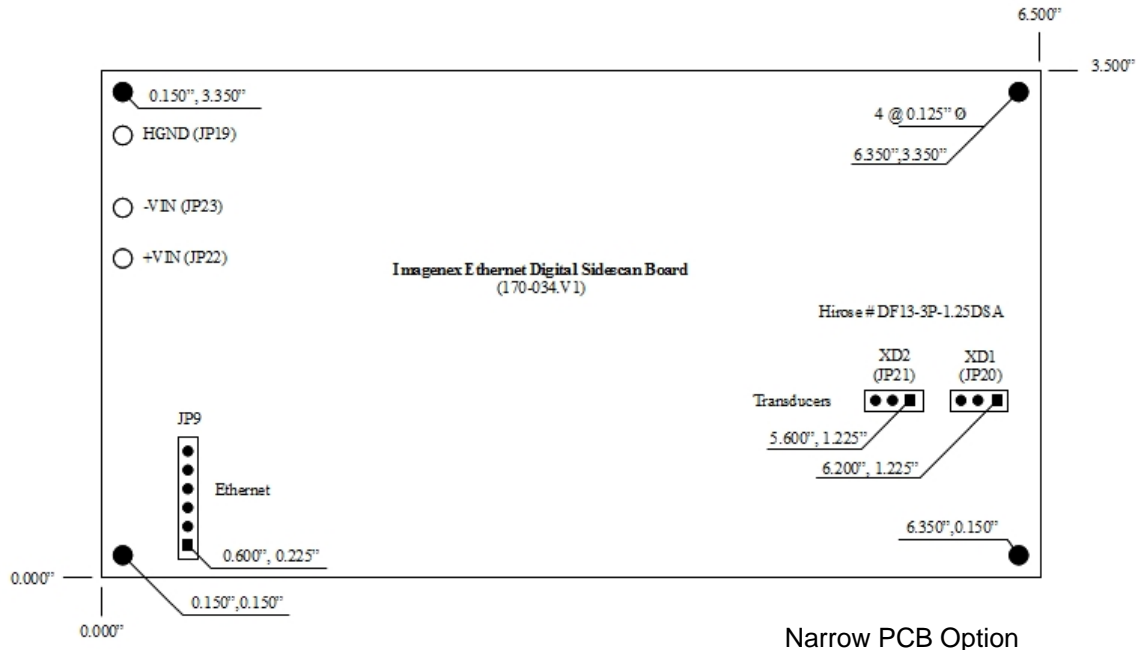
Shown with standard transducers & board

HARDWARE SPECIFICATIONS:	
INTERFACE	Ethernet
FREQUENCY	260 kHz / 330 kHz / 800 kHz nominal
TRANSDUCER BEAM WIDTH	260 kHz: 2.2° x 75° 330 kHz: 1.8° x 60° 800 kHz: 0.7° x 30°
RANGE RESOLUTION	Range scale ÷ 1000
POWER SUPPLY	Nominal 24 VDC (22 VDC – 33 VDC) at less than 2.5 Watts
ELECTRONICS DIMENSIONS	120.65 mm (4.75") x 120.65 mm (4.75") 111.76 mm (4.4") between mounting holes or Narrow PCB Option: 88.9 mm (3.5") x 165.1 mm (6.5") 81.28 mm (3.2"), 157.48 mm (6.2") between mounting holes
TRANSDUCER DIMENSIONS	See drawing on p. 3
WEIGHT: In Air	Transducers 385 g (0.8 lbs) each
	Electronics 121 g (0.3 lbs)

SOFTWARE SPECIFICATIONS:	YellowFin_AUV.exe
WINDOWS™ OPERATING SYSTEM	Windows™ XP, Vista, 7, 8, 10
ZOOM MODES	1x, 2x, 3x, 4x, and 5x dynamically moveable
RANGE SCALES:	10 m, 20 m, 30 m, 40 m, 50 m, 60 m, 80 m, 100 m, 125 m, 150 m, and 200 m
FILE FORMAT	(filename).872
RECOMMENDED MINIMUM COMPUTER REQUIREMENTS:	800MHz Pentium 3 256 MB RAM 2 GB Hard Disk 1024 x 768 x 256 colour graphics

COMMUNICATIONS PROTOCOL SPECIFICATIONS:	
ETHERNET INTERFACE SPECIFICATION (v1.00)	Filename: Sidescan Ethernet Specification.pdf
SOURCE CODE AVAILABLE FOR TESTING	RecordData.cpp





ORDERING INFORMATION:		
260 kHz / 330 kHz / 800 kHz UNIT with Remote Mount Faired Transducers	Standard	896-000-150
IP Address*	Option	-020
Remote Mount Transducers with 24" pigtail**	Option	-025
Remote Mount Transducers with connector**	Option	-026
Narrow PCB	Option	-040

*Note: Standard IP Address is 192.168.0.5
A different IP Address may be specified upon ordering.

**Note: Various connector/cable configurations available to be specified upon ordering.

Product and company names listed are trademarks or trade names of their respective companies.