

IMAGENEX MODEL 886 BFS DIGITAL IMAGING SONAR

APPLICATIONS:

- ROV, AUV, & UUV
- Offshore Oil & Gas
- Sunken Timber Recovery
- Diving Support
- Ship Hull Inspection
- Search & Recovery
- Inspection
- Underwater Archaeology
- Scientific Research

FEATURES:

- **Ethernet**
- Programmable
- High performance
- Lower cost
- Low power
- Simple set-up and installation
- Digital telemetry
- Full scale range from 2.5 m to 60 m
- Compact size
- Communication format available to user

Imagine a world where sonar images with the clarity of a mechanically scanning sonar can be generated with the video-like speed of a multibeam sonar. This world now exists with the Imagenex BFS sonar system.

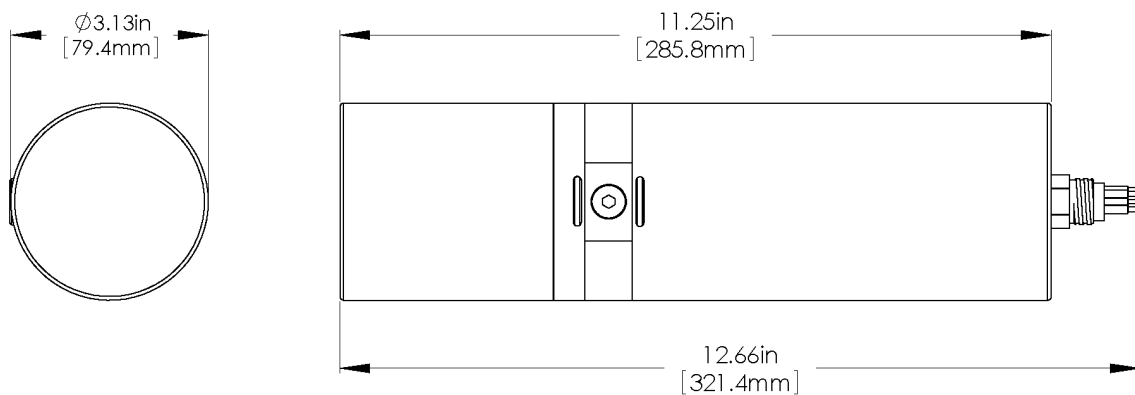
The BFS is an advanced, high frequency, scanning multibeam sonar utilizing Imagenex's superior imaging algorithms, highly optimized acoustic receivers, and sophisticated digital electronics. Employing high-speed Ethernet communications and advanced Digital Signal Processing, the BFS sonar is capable of creating 57.6° wide imaging sectors at speeds of over six frames per second. This, coupled with up to 10 mm (0.4") range resolution, provides truly amazing video-like imagery.

With its compact size and low power draw, the BFS will suit any underwater application from large work-class ROV's to small inspection vehicles.



HARDWARE SPECIFICATIONS:	
FREQUENCY	675 kHz / 900 kHz or Optional 1.1 MHz
TRANSDUCER	Imaging type, fluid compensated
TRANSDUCER BEAM WIDTH	675 kHz: 1.8° x 50° Optional 1.1 MHz: 1.1° x 40° 900 kHz: 1.3° x 40°
NUMBER OF BEAMS	192 (Step Size 0.3°), 96 (Step Size 0.6°)
RANGE RESOLUTION	10 mm (0.4")
MIN. DETECTABLE RANGE	150 mm (6")
MAX. OPERATING DEPTH	1000 m
MAX. CABLE LENGTH	Standard: 100 m on CAT5e Cable length may be increased up to ~9000 m using an Ethernet extender. Please enquire for more information.
INTERFACE	Standard: 10 Mbps Ethernet (10 BASE-T) using TCP/IP Bit rate may vary if an Ethernet extender is in use.
CONNECTOR	End mounted, eight conductor, wet mateable (Subconn MCBH8M-AS)
POWER SUPPLY	20 – 36 VDC at less than 10 Watts
DIMENSIONS	See drawing
WEIGHT: In Air	~ 2 kg (~ 4 lbs)
 In Water	~ 0.5 kg (~ 1 lb)
MATERIALS	6061-T6 Aluminum & Polyurethane
FINISH	Hard Anodize

SOFTWARE SPECIFICATIONS:	BFS.exe
WINDOWS™ OPERATING SYSTEM	Windows™ XP, Vista, 7, 8, 10
MODE	Sector Scan
RANGE SCALES	675 kHz: 2.5 m, 5 m, 10 m, 20 m, 30 m, 40 m, 50 m, 60 m 900 kHz: 2.5 m, 5 m, 10 m, 20 m, 30 m Optional 1.1 MHz: 2.5 m, 5 m, 10 m, 20 m, 30 m
SECTOR SIZE	57.6°
STEP SIZES	0.3°, 0.6°
FILE FORMAT	(filename).bfs
RECOMMENDED MINIMUM COMPUTER REQUIREMENTS:	2 GHz Pentium 4 256 MB RAM 20 GB Hard Disk 1024 x 768 screen resolution



ORDERING INFORMATION:		
1000 m UNIT	Standard	886-000-100
IP Address*	Option	-020
1.1 MHz	Option	-034

*Note: Standard IP Address is 192.168.0.2
 A different IP Address may be specified upon ordering.

Product and company names listed are trademarks or trade names of their respective companies.