



886 BFS Low Profile  
445-062 MAY 2009-REVISED MAY 2017

## IMAGENEX MODEL 886 BFS LOW PROFILE DIGITAL IMAGING SONAR

### APPLICATIONS:

- ROV, AUV, & UUV
- Offshore Oil & Gas
- Sunken Timber Recovery
- Diving Support
- Ship Hull Inspection
- Search & Recovery
- Inspection
- Underwater Archaeology
- Scientific Research

### FEATURES:

- **Ethernet**
- Programmable
- High performance
- Lower cost
- Low power
- Simple set-up and installation
- Digital telemetry
- Full scale range from 2.5 m to 60 m
- Compact size
- Communication format available to user

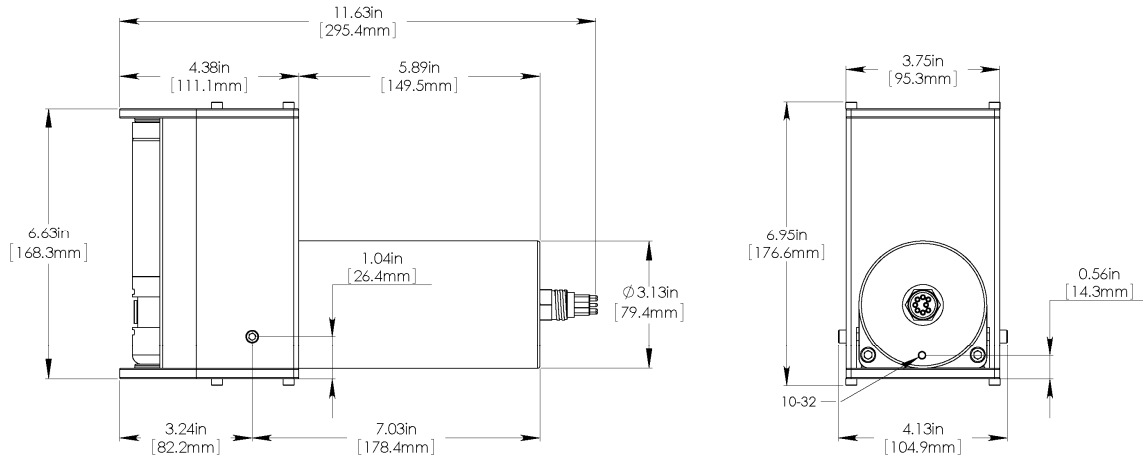
Imagine a world where sonar images with the clarity of a mechanically scanning sonar can be generated with the video-like speed of a multibeam sonar. This world now exists with the Imagenex BFS sonar system.

The BFS is an advanced, high frequency, scanning multibeam sonar utilizing Imagenex's superior imaging algorithms, highly optimized acoustic receivers, and sophisticated digital electronics. Employing high-speed Ethernet communications and advanced Digital Signal Processing, the BFS sonar is capable of creating 57.6° wide imaging sectors at speeds of over six frames per second. This, coupled with up to 10 mm (0.4") range resolution, provides truly amazing video-like imagery.

With its compact size and low power draw, the BFS will suit any underwater application from large work-class ROV's to small inspection vehicles.







<b>ORDERING INFORMATION:</b>		
<b>1000 m UNIT</b>	Standard	886-000-130
IP Address*	Option	-020
1.1 MHz	Option	-034

\*Note: Standard IP Address is 192.168.0.2  
 A different IP Address may be specified upon ordering.

Product and company names listed are trademarks or trade names of their respective companies.