



IMAGENEX MODEL 881L NARROW BEAM DIGITAL IMAGING SONAR

APPLICATIONS:

- ROV, AUV, & UUV
- Offshore Oil & Gas
- Sunken Timber Recovery
- Diving Support
- Surveying
- Search & Recovery
- Inspection
- Underwater Archaeology
- Scientific Research

FEATURES:

- **Ethernet**
- Programmable
- High performance
- Lower cost
- Low power
- Simple set-up and installation
- Digital telemetry
- Full scale range from 1 m to 100 m
- Compact size
- Communication format available to user

Using Ethernet communications, this all-in-one, high performance digital imaging sonar can exceed 100 shots per second on the 1 m range at a 2 mm range resolution, producing near-photographic image quality.

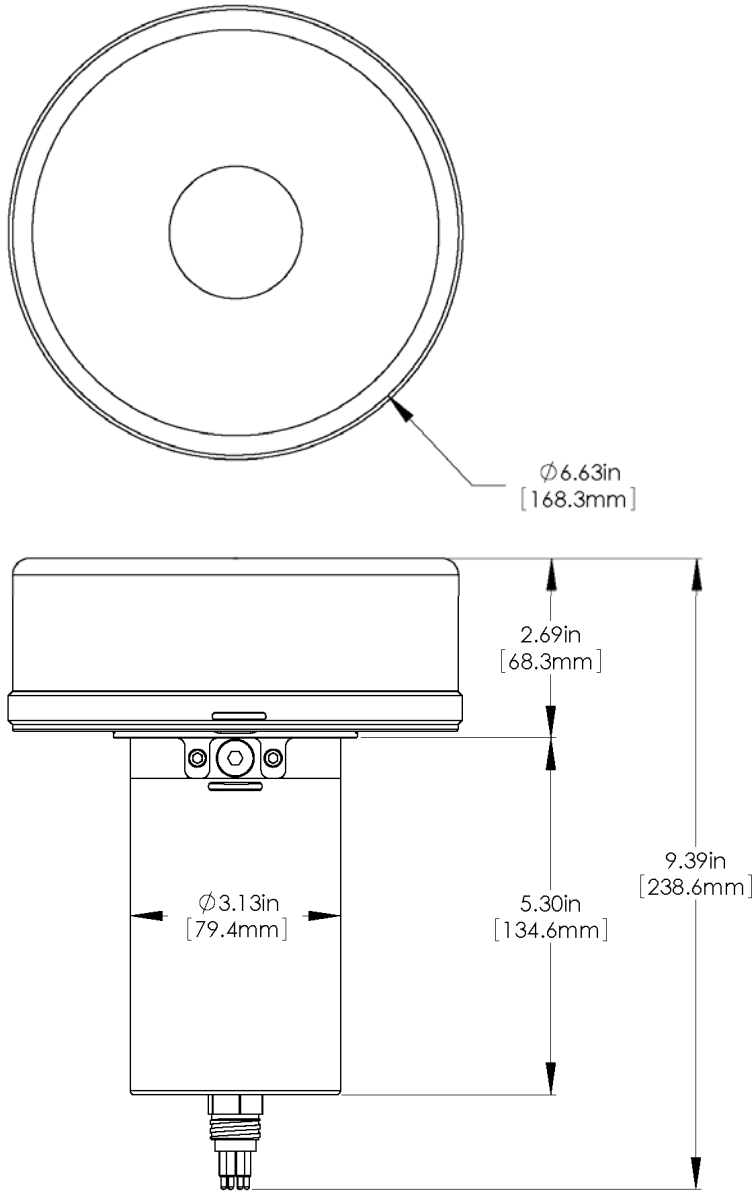
The 881L can operate with customized configurations or revert to default settings to match appropriate operating range scales.

In addition to the benefits of low power, a simple set-up and installation procedure make this powerful sonar an ideal tool for remotely operated platforms ranging from large work ROV's to small inspection vehicles, as well as AUV and UUV applications.



| HARDWARE SPECIFICATIONS: | |
|---------------------------------|--|
| FREQUENCY | 675 kHz |
| TRANSDUCER | Imaging type, fluid compensated |
| TRANSDUCER BEAM WIDTH | 0.75° x 20° |
| RANGE RESOLUTION | 1 m – 4 m: 2 mm (0.08") 5 m & up: 10 mm (0.4") |
| MIN. DETECTABLE RANGE | 150 mm (6") |
| MAX. OPERATING DEPTH | 1000 m |
| MAX. CABLE LENGTH | Standard: 100 m on CAT5e Cable length may be increased up to ~9000 m using an Ethernet extender. Please enquire for more information. |
| INTERFACE | Standard: 10 Mbps Ethernet (10 BASE-T) using TCP/IP Bit rate may vary if an Ethernet extender is in use. |
| CONNECTOR | End mounted, eight conductor, wet mateable (Subconn MCBH8M-AS) |
| POWER SUPPLY | 20 – 32 VDC at less than 5 Watts |
| DIMENSIONS | See drawing p. 3 |
| WEIGHT: In Air | ~ 2.6 kg (6 lbs) |
| In Water | ~0.9 kg (1.9 lbs) |
| MATERIALS | 6061-T6 Aluminum & Polyurethane |
| FINISH | Hard Anodize |

| SOFTWARE SPECIFICATIONS: | Win881L.exe, Win881AL.exe |
|--|---|
| WINDOWS™ OPERATING SYSTEM | Windows™ XP, Vista, 7, 8, 10 |
| MODES | Sector, Polar and Side Scan |
| RANGE SCALES | 1 m, 2 m, 3 m, 4 m, 5 m, 10 m, 20 m, 30 m, 40 m, 50 m, 60 m, 80 m, 100 m |
| TRAIN ANGLES | Continuous rotation, 3° increments |
| SECTOR SIZE: SECTOR MODE POLAR MODE | 0° – 180°, 3° increments 0° – 357°, 3° increments, or Continuous rotation |
| STEP SIZES | Slow (0.3°), Medium (0.6°), Fast (0.9°), Faster (1.2°), Fastest (2.4°) |
| GRID TYPES | Polar and rectangular |
| FILE FORMAT | (filename).81L |
| RECOMMENDED MINIMUM COMPUTER REQUIREMENTS: | 100 MHz Pentium 16 MB RAM 1 GB Hard Disk 800 x 600 x 256 colour graphics |



ORDERING INFORMATION:

| | | |
|--------------------|----------|-------------|
| 1000 m UNIT | Standard | 881-000-505 |
| IP Address* | Option | -020 |

*Note: Standard IP Address is 192.168.0.5
A different IP Address may be specified upon ordering.

Product and company names listed are trademarks or trade names of their respective companies.