



881L 330 kHz Echo Sounder
445-078 MARCH 2011-REVISED MAY 2017

IMAGENEX MODEL 881L 330 kHz DIGITAL ECHO SOUNDER

APPLICATIONS:

- ROV, AUV & UUV
- Offshore Oil & Gas
- Surveying
- Underwater Archaeology
- Scientific Research

FEATURES:

- Ethernet communications
- Programmable
- High performance
- Low power
- Simple set-up and installation
- 10 to 200 m operation
- Compact size
- Communication format available to user

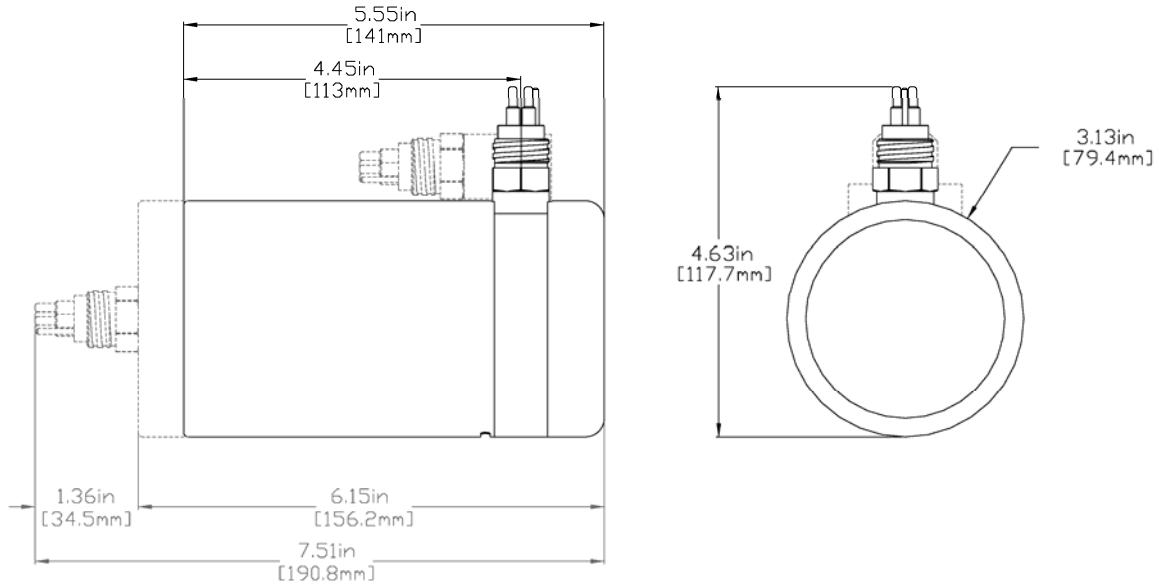
The Imagenex Model 881L 330 kHz Echo Sounder is a completely self-contained echo sounder with Ethernet communications. It is mounted in a pressure-proof housing with an underwater connector for use in depths up to 1000 meters (~3000 feet). It can be used as a standard echo sounder or with digitized first returns only. Its requirements are minimal, needing only a power source and a digital interface to an external device such as a personal or laptop computer.



Picture shown with optional right angle connector.

HARDWARE SPECIFICATIONS:	
FREQUENCY	330 kHz
TRANSDUCER	Conical
TRANSDUCER BEAM WIDTH	20°(Standard)
RANGE RESOLUTION	10 m & up: 10 mm (0.4")
MIN. DETECTABLE RANGE	1 m (39")
MAX. OPERATING DEPTH	1000 m
MAX. CABLE LENGTH	Standard: 100 m on CAT5e Cable length may be increased up to ~9000 m using an Ethernet extender. Please enquire for more information.
INTERFACE	Standard: 10 Mbps Ethernet (10 BASE-T) using TCP/IP Bit rate may vary if an Ethernet extender is in use.
CONNECTOR	Side mounted, eight conductor, wet mateable (Subconn MCBH8M-AS) Optional right angle or end mount connector
POWER SUPPLY	20 – 32 VDC at less than 3 Watts
DIMENSIONS (for both depth ratings)	79.4 mm (3.125") diameter x 139 mm (5.5") length
WEIGHT: In Air	~1.1 kg (2.3 lbs)
In Water	TBA
MATERIALS	6061-T6 Aluminum & PVC
FINISH	Hard Anodize

SOFTWARE SPECIFICATIONS:	Win881L_ES.exe
WINDOWS™ OPERATING SYSTEM	Windows™ XP, Vista, 7, 8, 10
MODES	Echosounder
RANGE SCALES	10 m, 20 m, 30 m, 40 m, 50 m, 60 m, 80 m, 100 m, 150 m, 200 m
FILE FORMAT	(filename).81L
RECOMMENDED MINIMUM COMPUTER REQUIREMENTS:	100 MHz Pentium 16 MB RAM 1 GB Hard Disk 800 x 600 x 256 colour graphics



ORDERING INFORMATION:		
1000 m UNIT	Standard	881-000-543
End mount connector	Option	-009
Right angle connector	Option	-010
IP Address*	Option	-020

*Note: Standard IP Address is 192.168.0.5
 A different IP Address may be specified upon ordering.

Product and company names listed are trademarks or trade names of their respective companies.