

---

## **IMAGENEX MODEL 881A DIGITAL MULTI-FREQUENCY PROFILING SONAR w/PRH SENSOR & DEPLOYMENT CONE**

### **APPLICATIONS:**

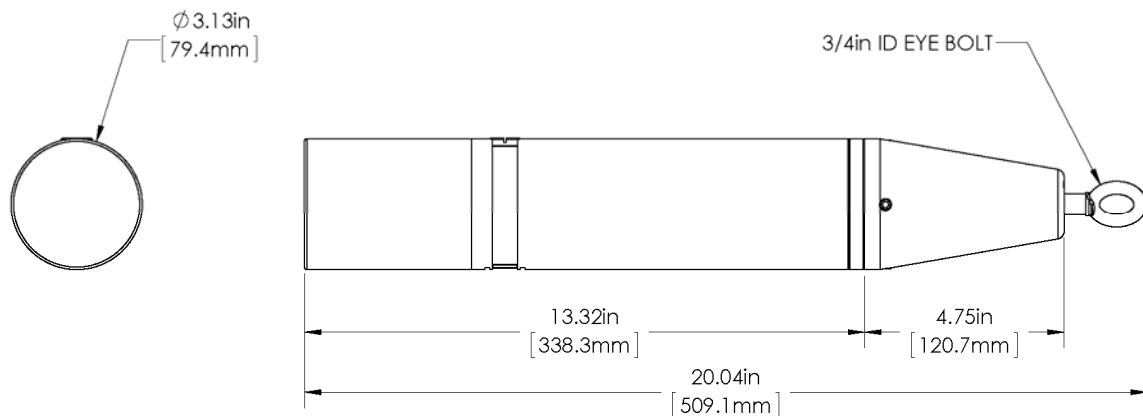
- Profiling
- Offshore Oil & Gas
- Surveying
- Dam Face Inspection
- Underwater Archaeology
- Scientific Research
- Drop sonar
- Borehole Inspection

### **FEATURES:**

- Programmable
- Multi-frequency
- High performance
- Lower cost
- Low power
- Simple set-up and installation
- Digital telemetry
- 1 to 100 m operation (full scale)
- Built-in orientation module (PRH)
- Communication format available to user



<b>HARDWARE SPECIFICATIONS:</b>	
<b>FREQUENCY</b>	675 kHz -Other frequencies can be selected through programmable software configurations (Tunable from 600 kHz to 1 MHz in 5 kHz steps)
<b>TRANSDUCER</b>	Profiling type, fluid compensated
<b>TRANSDUCER BEAM WIDTH</b>	600 kHz: 2.4° 675 kHz: 2.1° 1 MHz: 1.4°
<b>RANGE RESOLUTION</b>	1 m – 4 m: 2 mm (0.08") 5 m & up: 10 mm (0.4")
<b>MIN. DETECTABLE RANGE</b>	150 mm (6")
<b>ORIENTATION MODULE (accuracies):</b>	
<b>PITCH &amp; ROLL</b>	± 0.1° typical
<b>HEADING</b>	± 1.0° typical
<b>MAX. OPERATING DEPTH</b>	1000 m and 3000m available
<b>MAX. CABLE LENGTH</b>	1000 m on typical twisted shielded pair (RS-485)
<b>INTERFACE</b>	RS-485 serial interface @ 115.2 kbps (or optional RS-232)
<b>CONNECTOR</b>	End mounted, four conductor, wet mateable (Subconn MCBH4M-AS)
<b>POWER SUPPLY</b>	20 – 36 VDC at less than 5 Watts
<b>DIMENSIONS (for both depth ratings)</b>	See drawing
<b>WEIGHT: In Air</b>	1000 m unit: ~2.7 kg (~6 lbs) 3000 m unit: TBA
<b>In Water</b>	1000 m unit: ~1.1 kg (~2.5 lbs) 3000 m unit: TBA
<b>MATERIALS</b>	1000 m unit: 6061-T6 Aluminum, PVC & Polyurethane 3000 m unit: Titanium, Polyurethane, PVC & 300 series stainless steel
<b>FINISH</b>	Hard Anodize



<b>SOFTWARE SPECIFICATIONS:</b>	<b>Win881A.exe</b>
<b>WINDOWS™ OPERATING SYSTEM</b>	Windows™ XP, Vista, 7, 8, 10
<b>MODES</b>	Side Scan, Polar, and Sector
<b>RANGE SCALES</b>	1 m, 2 m, 3 m, 4 m, 5 m, 10 m, 20 m, 30 m, 40 m, 50 m, 60 m, 80 m, 100 m
<b>TRAIN ANGLES</b>	Continuous rotation, 3° increments
<b>SECTOR SIZE:</b>	
<b>SECTOR MODE</b>	0° – 180°, 3° increments
<b>POLAR MODE</b>	0° – 357°, 3° increments, or Continuous rotation
<b>STEP SIZES</b>	Slow (0.3°), Medium (0.6°), Fast (0.9°), Faster (1.2°), Fastest (2.4°)
<b>GRID TYPES</b>	Polar and rectangular
<b>FILE FORMAT</b>	(filename).81a
<b>RECOMMENDED MINIMUM COMPUTER REQUIREMENTS:</b>	100 MHz Pentium 16 MB RAM 1 GB Hard Disk 800 x 600 x 256 colour graphics

<b>ORDERING INFORMATION:</b>		
<b>1000 m UNIT</b>	Standard	881-000-420
<b>3000 m UNIT</b>	Standard	881-000-421
RS-232	Option	-006
Interface source code in "C" (TEST881A.C)	Option	-018
Pitch, Roll & Heading Sensor	Option (included)	-030
Deployment Cone	Option (included)	-052

Product and company names listed are trademarks or trade names of their respective companies.