



881A 6000 m Imaging

445-065 NOVEMBER 2009-REVISED MAY 2017

IMAGENEX MODEL 881A 6000 m DIGITAL MULTI-FREQUENCY IMAGING SONAR

APPLICATIONS:

- ROV, AUV, & UUV
- Offshore Oil & Gas
- Sunken Timber Recovery
- Diving Support
- Surveying
- Search & Recovery
- Inspection
- Underwater Archaeology
- Scientific Research

FEATURES:

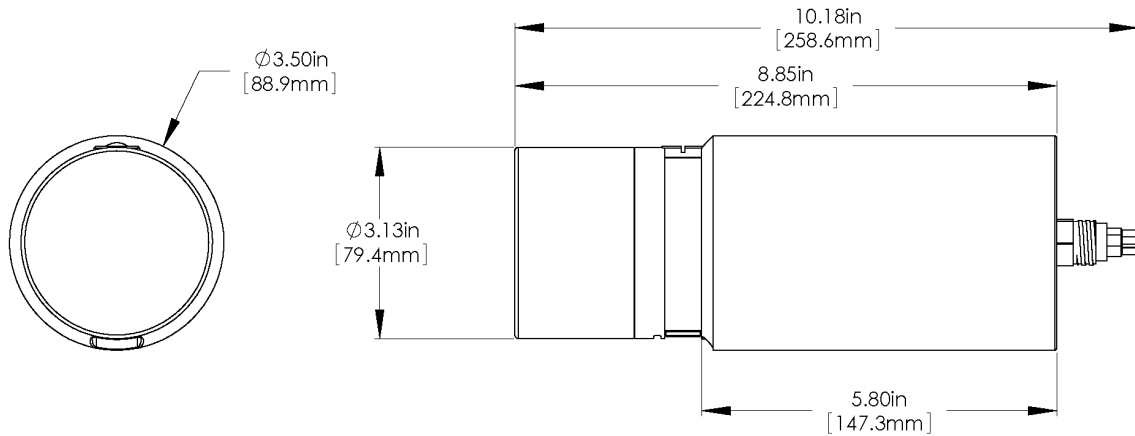
- Programmable
- Multi-frequency
- High performance
- Lower cost
- Low power
- Simple set-up and installation
- Digital telemetry
- Full scale range from 1 m to 200 m
- Compact size
- Communication format available to user

Now with Multi-frequency Sonar, operators can generate highly detailed full-scale images with just one unit. The 881A is a programmable multi-frequency digital imaging sonar that you can operate using default frequency settings or customize the configurations for your own situation. High performance, lower cost, low power and simple set-up and installation, make this sonar perfect for the largest ROV's to the smallest inspection ROV's, plus AUV or UUV applications.



HARDWARE SPECIFICATIONS:	
FREQUENCY	310 kHz, 675 kHz, or 1 MHz (default settings) -Other frequencies can be selected through programmable software configurations (Tunable from 280 kHz to 1.1 MHz in 5 kHz steps)
TRANSDUCER	Imaging type, fluid compensated
TRANSDUCER BEAM WIDTH	310 kHz: 4° x 40° 675 kHz: 1.8° x 20° 1 MHz: 0.9° x 10°
RANGE RESOLUTION	1 m – 4 m: 2 mm (0.08") 5 m & up: 10 mm (0.4")
MINIMUM DETECTABLE RANGE	150 mm (6")
MAX. OPERATING DEPTH	6000 m
MAX. CABLE LENGTH	1000 m on typical twisted shielded pair (RS-485)
INTERFACE	RS-485 serial interface @ 115.2 kbps (or optional RS-232)
CONNECTOR	Side mounted, four conductor, wet mateable (Subconn MCBH4M-Ti) Optional right angle or end mount connector
POWER SUPPLY	20 – 36 VDC at less than 5 Watts
DIMENSIONS	88.9 mm (3.5") diameter x 225 mm (8.85") length
WEIGHT: In Air	~3.1 kg (6.8 lbs)
In Water	~1.8 kg (3.9 lbs)
MATERIALS	Titanium & Polyurethane
FINISH	None

SOFTWARE SPECIFICATIONS:	Win881A.exe, Win881AL.exe
WINDOWS™ OPERATING SYSTEM	Windows™ XP, Vista, 7, 8, 10
MODES	Sector, Polar and Side Scan
RANGE SCALES	1 m, 2 m, 3 m, 4 m, 5 m, 10 m, 20 m, 30 m, 40 m, 50 m, 60 m, 80 m, 100 m, 150 m, 200 m
TRAIN ANGLES	Continuous rotation, 3° increments
SECTOR SIZE:	
SECTOR MODE	0° – 180°, 3° increments
POLAR MODE	0° – 357°, 3° increments, or Continuous rotation
STEP SIZES	Slow (0.3°), Medium (0.6°), Fast (0.9°), Faster (1.2°), Fastest (2.4°)
GRID TYPES	Polar and rectangular
FILE FORMAT	(filename).81a
RECOMMENDED MINIMUM COMPUTER REQUIREMENTS:	100 MHz Pentium 16 MB RAM 1 GB Hard Disk 800 x 600 x 256 colour graphics



ORDERING INFORMATION:

6000 m UNIT	Standard	881-000-402
RS-232	Option	-006
End mount connector	Option	-009
Right angle connector	Option	-010
Interface source code in "C" (TEST881A.C)	Option	-018

Product and company names listed are trademarks or trade names of their respective companies.