

## IMAGENEX MODEL 878 SIDESCAN SONAR

### APPLICATIONS:

- Underwater Archaeology
- Sunken Timber Recovery
- Search & Recovery
- Surveying
- Law Enforcement Work
- Scientific Research
- Environmental Survey

### FEATURES:

- Simultaneous dual frequency (or single)
- High resolution 1000 data points per side
- 1000 m depth rating
- Up to 600 m (~2000') total coverage
- 23 m (75') tow cable included
- LAN compatible
- Built-in internal GPS receiver
- Built-in track plotter
- Built-in orientation module

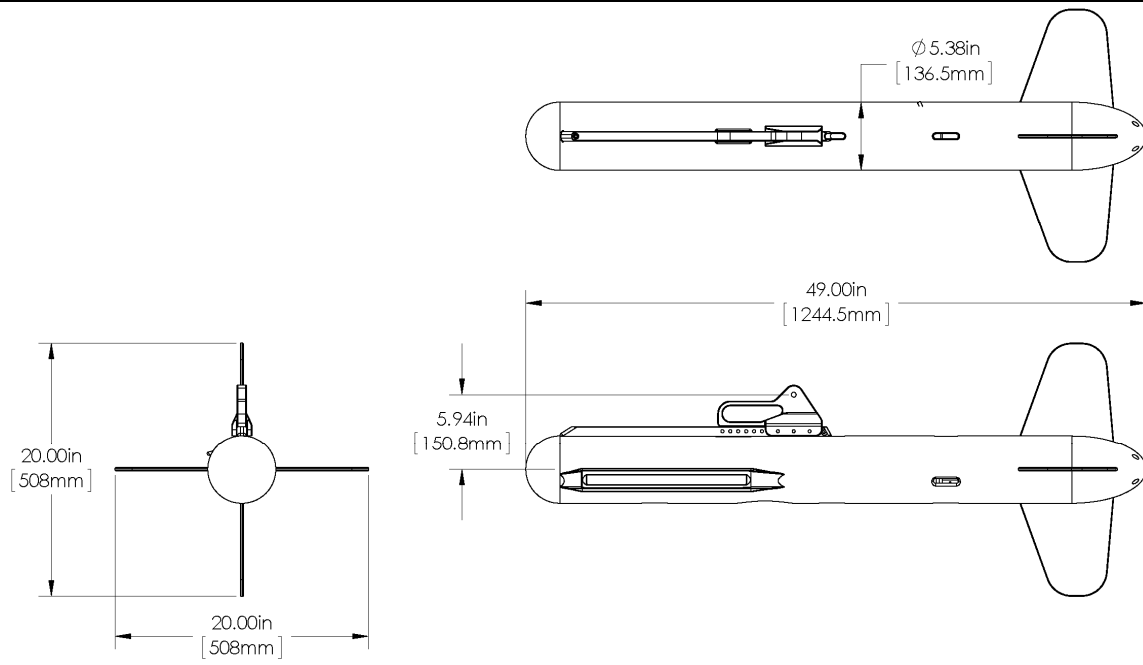
The Imagenex Model 878 Sidescan Sonar is the next generation in high resolution sidescan sonar. The unit runs two simultaneous sonars on each side at different sound wavelengths, providing enhanced image clarity. To further enhance these unique sonar capabilities, the towfish is equipped with an optional echo sounder and a built-in orientation module as well as depth and temperature sensors.

The Model 878 system comes as a completely integrated package including towfish, cable, GPS enabled surface interface box, and Microsoft Windows™ based real time operation and data playback software, thus providing a complete, easy to use, but highly advanced acoustic bottom visualization system.



Patent Pending

<b>UNDERWATER HARDWARE SPECIFICATIONS:</b>	
<b>SIDECAN:</b>	
<b>FREQUENCIES</b>	260 kHz / 540 kHz (Single frequency available)
<b>TRANSDUCERS</b>	Two transducers per side, with adjustable depression angle from -10° to -30° in 5° steps (One xdcr/side for single freq.)
<b>TRANSDUCER BEAM WIDTH</b>	260 kHz: 1° x 60° 540 kHz: 0.5° x 60°
<b>RANGE RESOLUTION</b>	Range scale ÷ 1000
<b>ECHO SOUNDER: (optional)</b>	
<b>FREQUENCY</b>	200 kHz
<b>TRANSDUCER</b>	Conical
<b>TRANSDUCER BEAM WIDTH</b>	10°
<b>RANGE RESOLUTION</b>	Range scale ÷ 1000
<b>ORIENTATION MODULE (accuracies): (optional)</b>	
<b>PITCH &amp; ROLL</b>	± 0.1° typical
<b>HEADING</b>	± 1.0° typical
<b>DEPTH</b>	± 0.5% of FS typical
<b>TEMPERATURE</b>	± 0.5°C typical
<b>MAX. OPERATING DEPTH</b>	1000 m (~3280')
<b>MAX. CABLE LENGTH</b>	1000 m using built-in Ethernet extender
<b>INTERFACE</b>	Up to 2.3 Mbps Ethernet (10 BASE-T) using TCP/IP
<b>CONNECTOR</b>	Wet mateable (Subconn MCIL4M)
<b>POWER SUPPLY</b>	130 VDC at less than 15 Watts, supplied from Surface Interface Box
<b>DIMENSIONS</b>	See drawing
<b>WEIGHT:</b>	
<b>In Air</b>	~26 kg (~57 lbs)
<b>In Water</b>	~12 kg (~25 lbs)
<b>MATERIALS</b>	6061-T6 Aluminum, PVC, 300 Series Stainless Steel, Polyurethane, Polycarbonate & Epoxy
<b>FINISH</b>	Hard anodized (internals) & polyester powder



<b>SOFTWARE SPECIFICATIONS:</b>	<b>SS878.exe</b>
<b>WINDOWS™ OPERATING SYSTEM</b>	Windows™ XP, Vista, 7, 8, 10
<b>ZOOM MODES</b>	1x, 2x, and 4x dynamically moveable
<b>RANGE SCALES</b>	
<b>SIDECAN:</b>	
<b>260 kHz:</b>	10 m, 20 m, 30 m, 40 m, 50 m, 60 m, 80 m, 100 m, 120 m, 150 m, 200 m, 250 m, 300 m
<b>540 kHz:</b>	10 m, 20 m, 30 m, 40 m, 50 m, 60 m, 80 m, 100 m, 120 m
<b>ECHO SOUNDER:</b>	10 m, 20 m, 30 m, 40 m, 50 m, 60 m, 80 m, 100 m, 120 m, 150 m, 200 m, 250 m, 300 m
<b>FILE FORMAT</b>	(filename).878
<b>GPS INPUT (4800, N, 8, 1) NMEA 0183 FORMATS:</b>	GLL and VTG; GGA and VTG; RMC
<b>RECOMMENDED MINIMUM COMPUTER REQUIREMENTS:</b>	Intel Core i3 @ 2.00 GHz 4 GB RAM 100 GB Hard Disk 1920 x 1080, True colour graphics

<b>ORDERING INFORMATION:</b>		
<b>Dual Frequency UNIT (260 kHz / 540 kHz) w / 23 m tow cable</b>	Standard	878-000-250
<b>Single Frequency UNIT (260 kHz) w / 23 m tow cable</b>	Standard	878-000-350
<b>Surface Interface Box</b>	Standard	878-000-001
60 m (200') Sidescan tow cable	Option	-021
100 m (330') Sidescan tow cable	Option	-033
540 kHz*	Option	-045
Echo Sounder	Option	-046
Orientation Module	Option	-047

\*Note: 540 kHz Option is for Single Frequency UNIT only

Product and company names listed are trademarks or trade names of their respective companies.