



852 Echo Sounder 1000 m  
445-058 JULY 2008-REVISED MAY 2017

## IMAGENEX MODEL 852 ULTRA-MINIATURE 1000 m ECHO SOUNDER

### APPLICATIONS:

- ROV Navigation
- Diving Support
- Inspection
- Search & Recovery

### FEATURES:

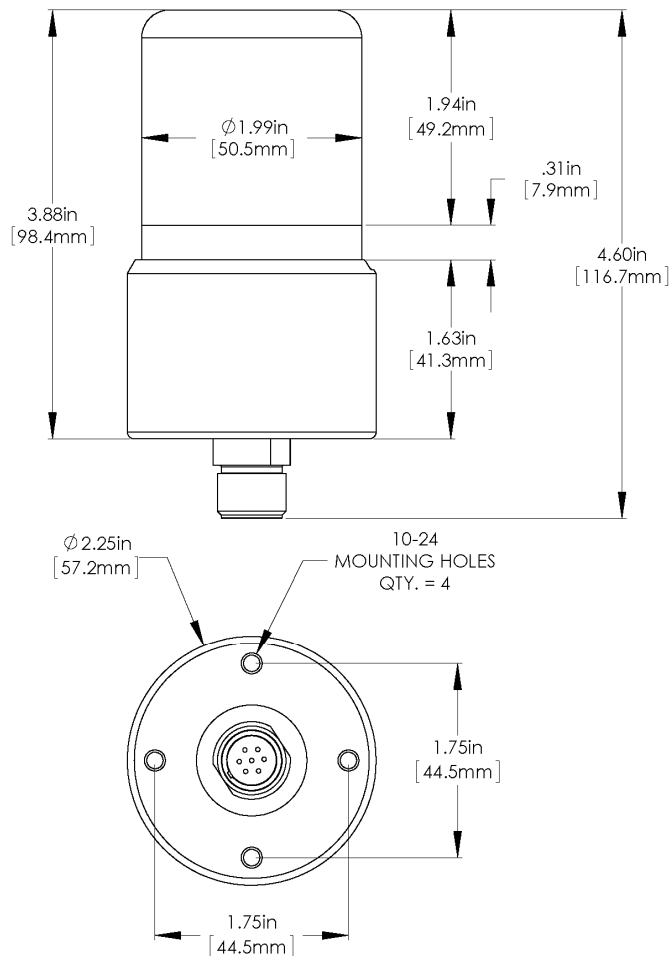
- Ultra-miniature size is ideal for mounting on today's micro ROV's
- Low cost
- Direct connection to laptop computer
- External trigger available

The Model 852 Digital Echo Sounder was designed for use with the smallest of ROV's. For maximum flexibility, the unit requires approximately 1.5 Watts from 24 VDC, or optional 48 VDC. Serial communication is utilized, RS-485 or RS-232 at 115.2 kbps. The maximum operating range is 50 meters.



<b>HARDWARE SPECIFICATIONS:</b>	
<b>FREQUENCY</b>	675 kHz
<b>TRANSDUCER BEAM WIDTH</b>	9° x 9°
<b>RANGE RESOLUTION</b>	20 mm
<b>MIN. DETECTABLE RANGE</b>	500 mm
<b>MAX. OPERATING DEPTH</b>	1000 m
<b>MAX. CABLE LENGTH</b>	1000 m on typical twisted shielded pair
<b>INTERFACE</b>	RS-485 @ 115.2 kbps (RS-232 optional)
<b>CONNECTOR*</b>	IE55-1204-BCR
<b>POWER SUPPLY</b>	22 – 30 VDC at less than 1.5 Watts Optional 40 – 56 VDC
<b>DIMENSIONS</b>	See drawing
<b>WEIGHT: In Air</b>	~ 400 g
<b>                  In Water</b>	TBA
<b>MATERIALS</b>	6061-T6 Aluminum, PVC, Epoxy
<b>FINISH</b>	Hard Anodize

<b>SOFTWARE SPECIFICATIONS:</b>	<b>Win852.exe</b>
<b>WINDOWS™ OPERATING SYSTEM</b>	Windows™ XP, Vista, 7, 8, 10
<b>MODES</b>	Echosounder
<b>RANGE SCALES</b>	5 m, 10 m, 20 m, 30 m, 40 m, 50 m
<b>EXTERNAL INPUT</b>	Depth, Heading, Turns
<b>FILE FORMAT</b>	(filename).852
<b>RECOMMENDED MINIMUM COMPUTER REQUIREMENTS:</b>	100 MHz Pentium 16 MB RAM 1 GB Hard Disk 800 x 600 x 256 colour graphics



<b>ORDERING INFORMATION:</b>		
<b>1000 m UNIT</b>	Standard	852-000-144
RS-232	Option	-006
40 – 56 VDC	Option	-013
External Trigger*	Option	-023

\*External Trigger option comes with MKS(W)-307-BCR connector.

Product and company names listed are trademarks or trade names of their respective companies.